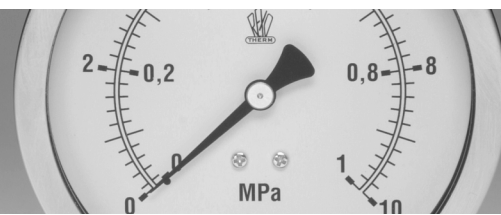


Exhaust Gas Thermometer

Stabilized against vibrations



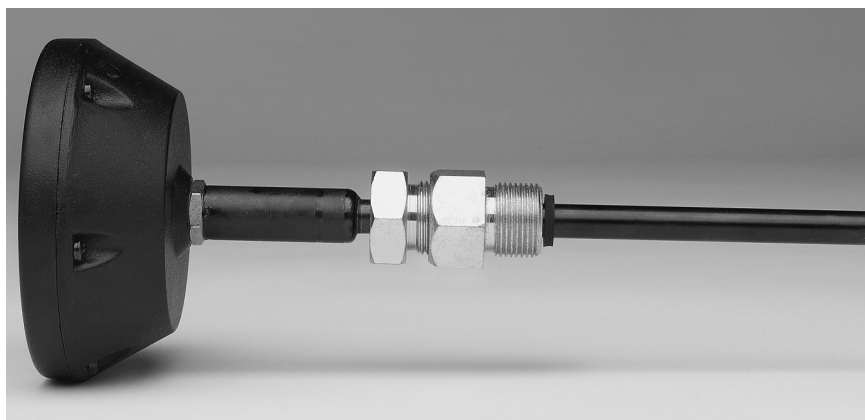
 **REXOTHERM**



RX-3100

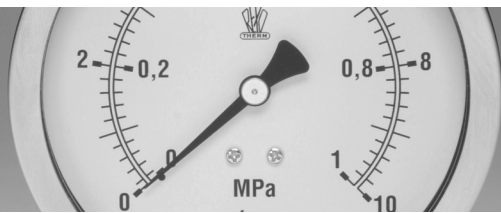
Temperature ranges

- 0+120°C
- 0+160°C
- 0+200°C
- 0+250°C
- +50+650°C
- +50+750°C



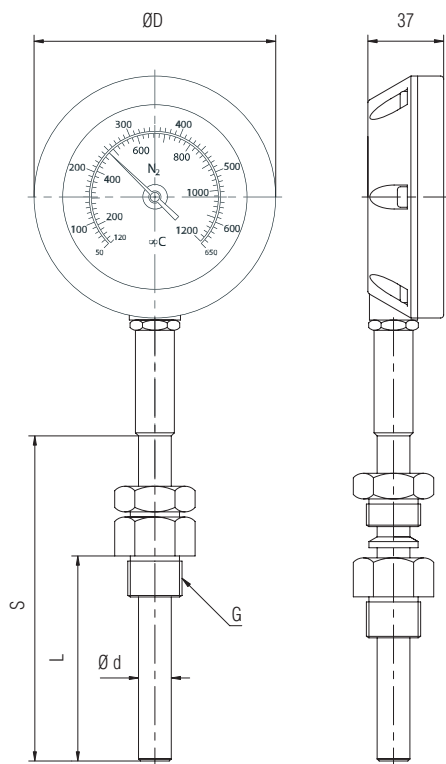
RX-3101



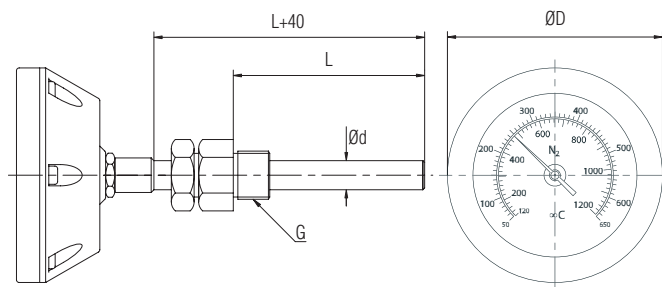


Technical Data

RX 3100, 3101, 3080, 3081



RX-3100



RX-3101

Dimensions

See table below.

Design

Silicone oil filled Exhaust Gas Thermometer with back or bottom stem entry.

Measuring System

Nitrogen N₂.

Casing/Bezel

Black painted die-cast aluminium

Max. Working Temperature

Full scale value at continuous operation.

Degree of protection

IP67.

Mounting

Back or bottom entry.

Stem diameter

12, 13 or 16 mm.

Immersion Length

L-100, 150, 200, 250, 300 eller 350 mm.

Connection

Adjustable union G 1/2" for stem 12 or 13 mm.

Adjustable union G 3/4" for stem 16 mm.

Thermowell

Available in steel or stainless steel on request.

Accessories

Adjustable union M 18 x 1,5, M 20 x 1,5 for stem 12 mm.

Adjustable union M 27 x 2 for stem 16 mm.

Type	ØD (mm)	Ød (mm)	L	G
RX 3080	100	12, 13 alt. 16	100, 150, 200, 250, 300 alt. 350	M27x2, G1/2", G3/4"
RX 3081	100	12, 13 alt. 16	100, 150, 200, 250, 300 alt. 350	M27x2, G1/2", G3/4"
RX 3100	120	12, 13 alt. 16	100, 150, 200, 250, 300 alt. 350	M27x2, G1/2", G3/4"
RX 3101	120	12, 13 alt. 16	100, 150, 200, 250, 300 alt. 350	M27x2, G1/2", G3/4"

