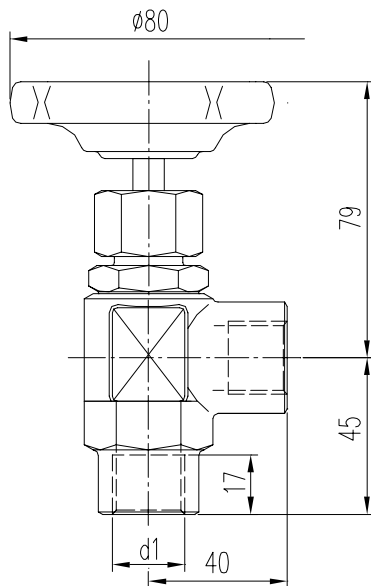
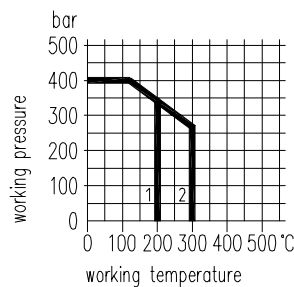
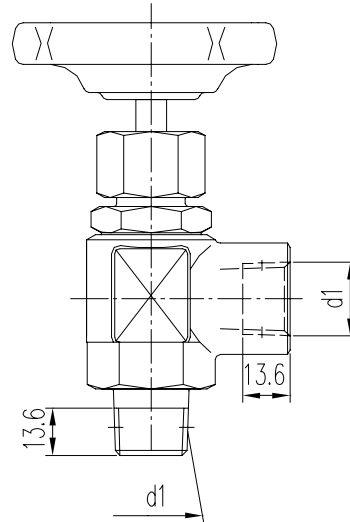


**Type 1**

**Type 2**


1 PTFE packing  
2 graphite packing

Type	Material	Connections d 1	Part no.
1	steel st. st.	G 1/2	S360.03.104 S360.03.204
2	steel st. st.	1/2 NPT	S360.07.124 S360.07.224

Components	Steel	Stainless steel <sup>1)</sup>
	DIN - Material Number	
Body <sup>2)</sup>	1.0460	1.4571
Bonnet	1.0501	1.4571
Valve seat	1.4021	1.4571
Valve stem	1.4104	1.4571
Needle tip	1.4122 <sup>5)</sup>	1.4571
Packing	graphite	PTFE up to 200°C <sup>4)</sup>
Union nut	steel	stainless steel
Handwheel	plastic <sup>3)</sup>	

- **Body:** die-pressed part
- **Surface:** steel phosphatized
- Internal stem thread
- Replaceable valve seat
- Stem with cold rolled surface, back seat and non-rotating needle tip
- Special types are available

- 1) Can also be supplied for oxygen service. Please notice order instruction B 3!
- 2) Available with inspection certificate 3.1 acc. to EN 10 204
- 3) Can also be supplied with handwheel made of steel
- 4) Available with graphite up to 300°C
- 5) 1.4122 quenched and tempered