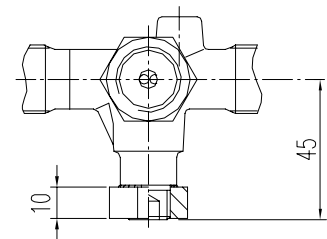
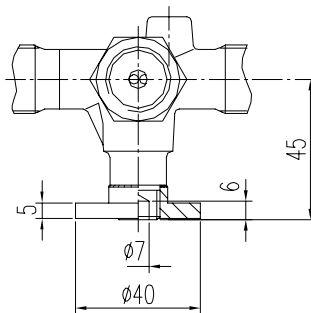
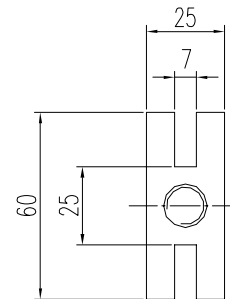

**test flange
60 x 25 x 10 mm**

MOUNTING ACCESSORIES see section 10
D V G W - Registration
DVGW-Register-No.
DG-4315BQ0226

| PN | Connection thread d | Material | Part no. with test flange | |
|-----|------------------------|----------|---------------------------|-----------------|
| | | | Ø 40 x 5 mm | 60 x 25 x 10 mm |
| 100 | G 1/2 | brass | S004.82.000 | S004.81.000 |
| | | steel | S004.82.100 | S004.81.100 |
| | | st. st. | S004.82.200 | S004.81.200 |

| Components | Brass | Steel | Stainless steel |
|-----------------|-----------------------|--------|-----------------|
| | DIN - Material Number | | |
| Body | brass | 1.0460 | 1.4571 |
| Flange | brass | steel | 1.4571 |
| Valve stem | 1.4104 | | 1.4571 |
| Needle tip | 1.4104 | | 1.4571 |
| O-rings | FPM | | |
| O-ring retainer | brass | | 1.4571 |
| Union nut | galv. steel | steel | stainless steel |
| Adjusting nut | brass | steel | stainless steel |
| Handwheel | plastic | | |

- **Body:** brass: pressed part
steel / stainless steel: die-pressed part
- **Surface:** steel phosphatized
- Internal stem thread
- Stem with cold rolled surface and non-rotating needle tip
- Max. operating pressure: 100 bar
Temperature: - 5°C up to + 60°C
- Basis of type examination: DVGW VP 308
- For all kinds of gas in accordance with DVGW-list number G 260
- Available with inspection certificate 3.1 acc. to EN 10 204