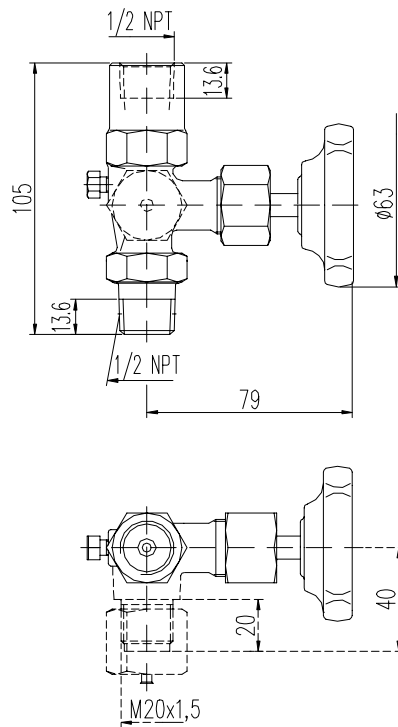
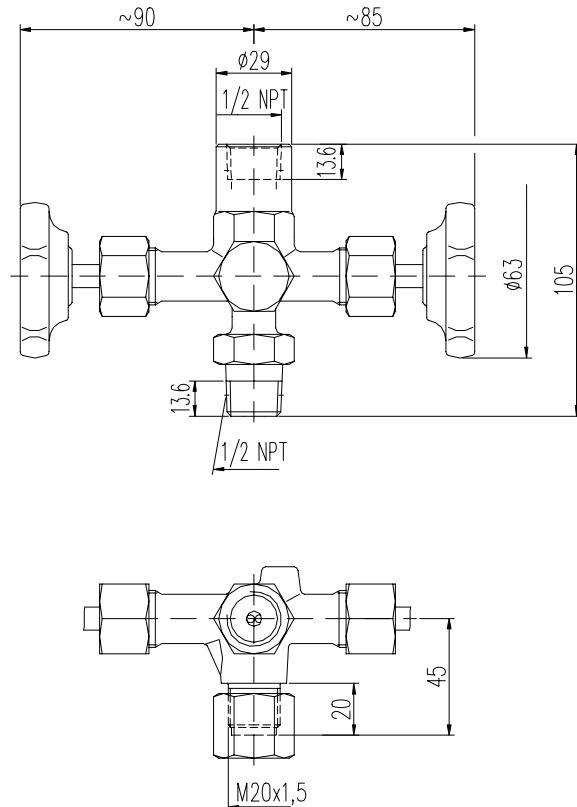


**Type 1**

 Pressure gauge valve without  
alternative with test connection

**Type 2**

 Double pressure gauge valve  
with test connection

**MOUNTING ACCESSORIES see section 10**

PN	Connection thread d	Material	Part no.		
			without	Type 1 with test connection M 20 x 1,5	Type 2 with
400	1/2 NPT	steel st. st.	S004.16.183 S004.16.283	S004.17.135.02 <sup>3)</sup> S004.17.235.02 <sup>3)</sup>	S004.60.135.02 S004.60.235.02

Components	Steel	Stainless steel <sup>1)</sup>
	DIN - Material Number	
Body <sup>2)</sup>	1.0460	1.4571
Valve stem	1.4104	1.4571
Needle tip	1.4104	1.4571
Packing	PTFE up to 200°C	
Union nut	steel	stainless steel
Vent screw	1.4571	
Handwheel	plastic	

- **Body:** die-pressed part
- **Surface:** steel phosphatized
- Internal stem thread
- Stem with cold rolled surface and non-rotating needle tip
- Valves with alternative test connections optional

1) Can also be supplied for oxygen service. Please notice order instruction B 3!

2) Available with inspection certificate 3.1 acc. EN 10 204

3) With protecting cap and sealing lense