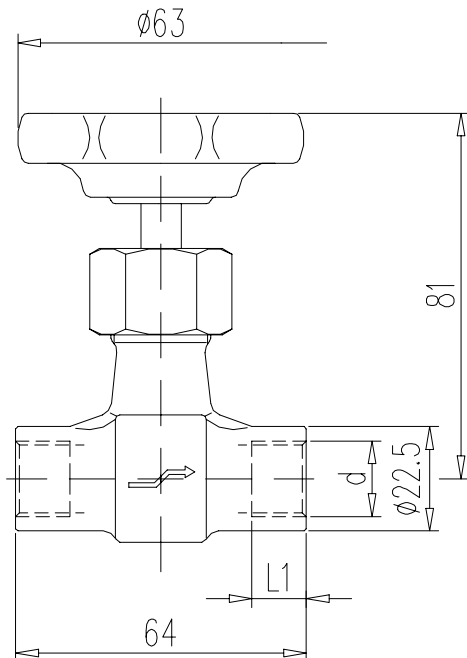
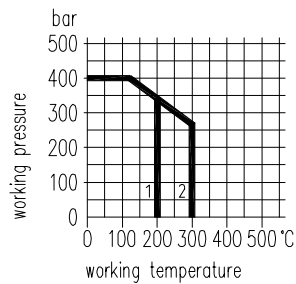
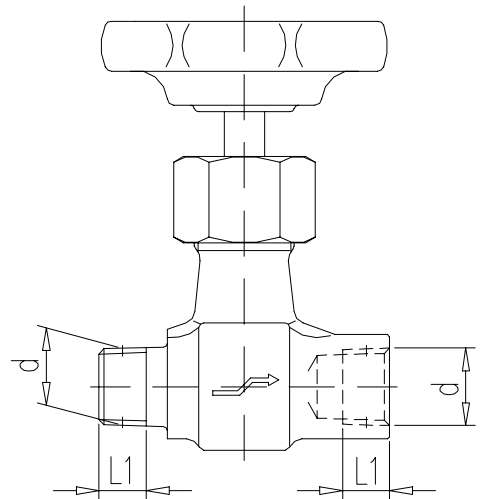


Type 1

Type 2


1 PTFE packing
2 graphite packing

Type	Connections		Part no.	
	d	L 1 [mm]	Steel	Stainless steel
1	G 1/4	12	S338.08.115	S338.08.215
	G 3/8	12	S338.08.116	S338.08.216
	1/4 NPT	10	S338.08.110	S338.08.210
2	1/4 NPT	10	S338.08.100	S338.08.200

Components	Steel	Stainless steel ¹⁾
	DIN - Material Number	
Body ²⁾	1.0460	1.4571
Valve stem	1.4104	1.4571
Needle tip	1.4122 ⁴⁾	1.4571
Packing	PTFE up to 200°C (graphite up to 300°C)	
Union nut	steel	1.4571
Handwheel	plastic ³⁾	

- **Body:** die-pressed part
- **Surface:** steel phosphatized
- Internal stem thread
- Stem with cold rolled surface and non-rotating needle tip
- Special types are available

- 1) Can also be supplied for oxygen service. Please notice order instruction B 3!
- 2) Available with inspection certificate 3.1 acc. to EN 10 204
- 3) Can also be supplied with handwheel made of steel
- 4) 1.4122 quenched and tempered