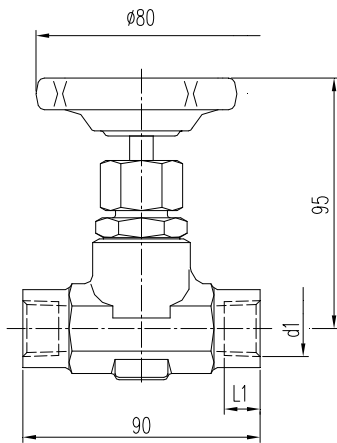
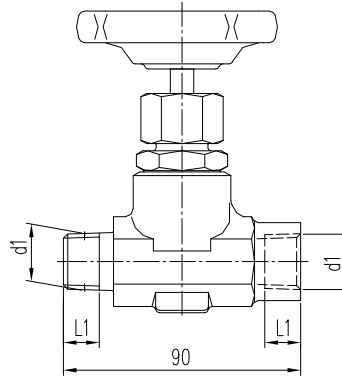
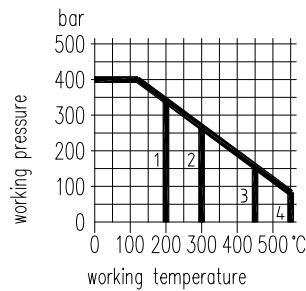
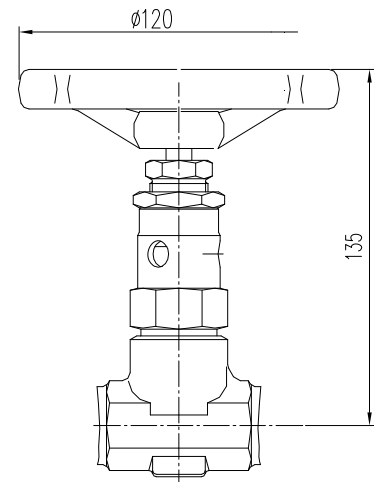


Type 1

Type 2

Type with external stem thread


- 1 PTFE packing
- 2 graphite packing - internal stem thread
- 3 graphite packing - external stem thread - 1.0460
- 4 graphite packing - external stem thread - 1.4571

Type	Material	Connections d 1	L 1 [mm]	Part no. for shut-off valve with	
				internal stem thread	external stem thread
1	steel st. st.	G 1/2	17,0	S350.03.104 S350.03.204	S351.03.104 S351.03.204
	steel st. st.	1/2 NPT	13,6	S350.03.124 S350.03.224	S351.03.124 S351.03.224
2	steel st. st.	1/2 NPT	13,6	S350.07.124 S350.07.224	S351.07.124 S351.07.224

Components	Internal stem thread		External stem thread	
	Steel	Stainless steel ¹⁾	Steel	Stainless steel ¹⁾
	DIN - Material Number			
Body ²⁾	1.0460	1.4571	1.0460	1.4571
Bonnet	1.0501	1.4571	1.7709	1.4571
Valve seat	1.4021	1.4571	1.4021	1.4571
Valve stem	1.4104	1.4571	1.4021	1.4571
Needle tip	1.4122 ⁵⁾	1.4571	1.4122 ⁵⁾	1.4571
Packing	graphite up to 300°C	PTFE up to 200°C ⁴⁾	graphite up to 450°C	graphite up to 550°C
Union nut / gland nut	steel	1.4571	2.0550	1.4301
Handwheel	plastic ³⁾		steel	

- **Body:** die-pressed part
- **Surface:** steel phosphatized
- Internal or external stem thread
- Replaceable valve seat
- Stem with cold rolled surface, back seat and non-rotating needle tip
- Special types are available

- 1) Can also be supplied for oxygen service. Please notice order instruction B 3!
- 2) Available with inspection certificate 3.1 acc. to EN 10 204
- 3) Can also be supplied with handwheel made of steel
- 4) Available with graphite up to 300°C
- 5) 1.4122 quenched and tempered