

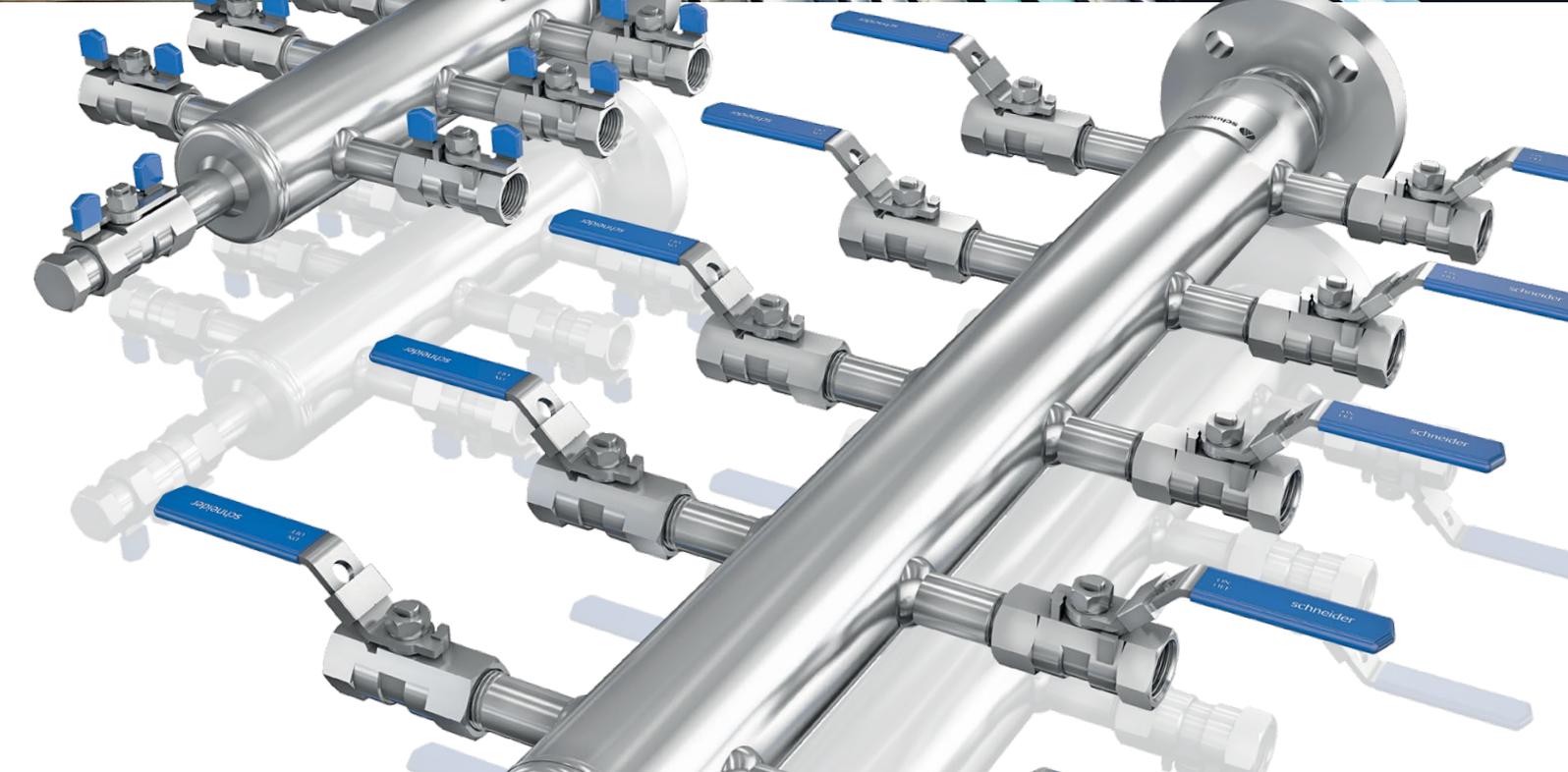


schneider

Tailored to Your Business

Instrumentation Products

Air Headers



General Features

Introduction

The AS-Schneider Group with its headquarters in Germany is one of the World's Leading Manufacturers of Instrumentation Valves and Manifolds. AS-Schneider offers a large variety of Air Headers needed for the instrumentation installations globally.

AS-Schneider Air Headers are used to supply several users with instrument air. Besides multiple types of standard styles we also supply the Air Headers in accordance with specific customer demands.

Selection can be made from a comprehensive range of pipe styles with a variety of connections and material options, optimising installation and access opportunities. Some of the Air Headers shown in this catalogue are available from stock or within a short period of time. The dimensions shown in this catalogue apply to standard types. If you need the dimensions for your individual type please contact the factory.

Continuous product development may from time to time necessitate changes in the details contained in this catalogue. AS-Schneider reserves the right to make such changes at their discretion and without prior notice.

All dimensions shown in this catalogue are approximate and subject to change.

Standard Features

- Distribution Pipe:
 - 2" Pipe
- Lever Operated Ball Valves with Locking Device
- Inlet:
 - Flange according to ASME or EN
 - Threaded
- Outlet Ports:
 - Ball Valves
 - Needle Valves
 - Tube Fittings
 - Threaded
- Material
 - Stainless Steel

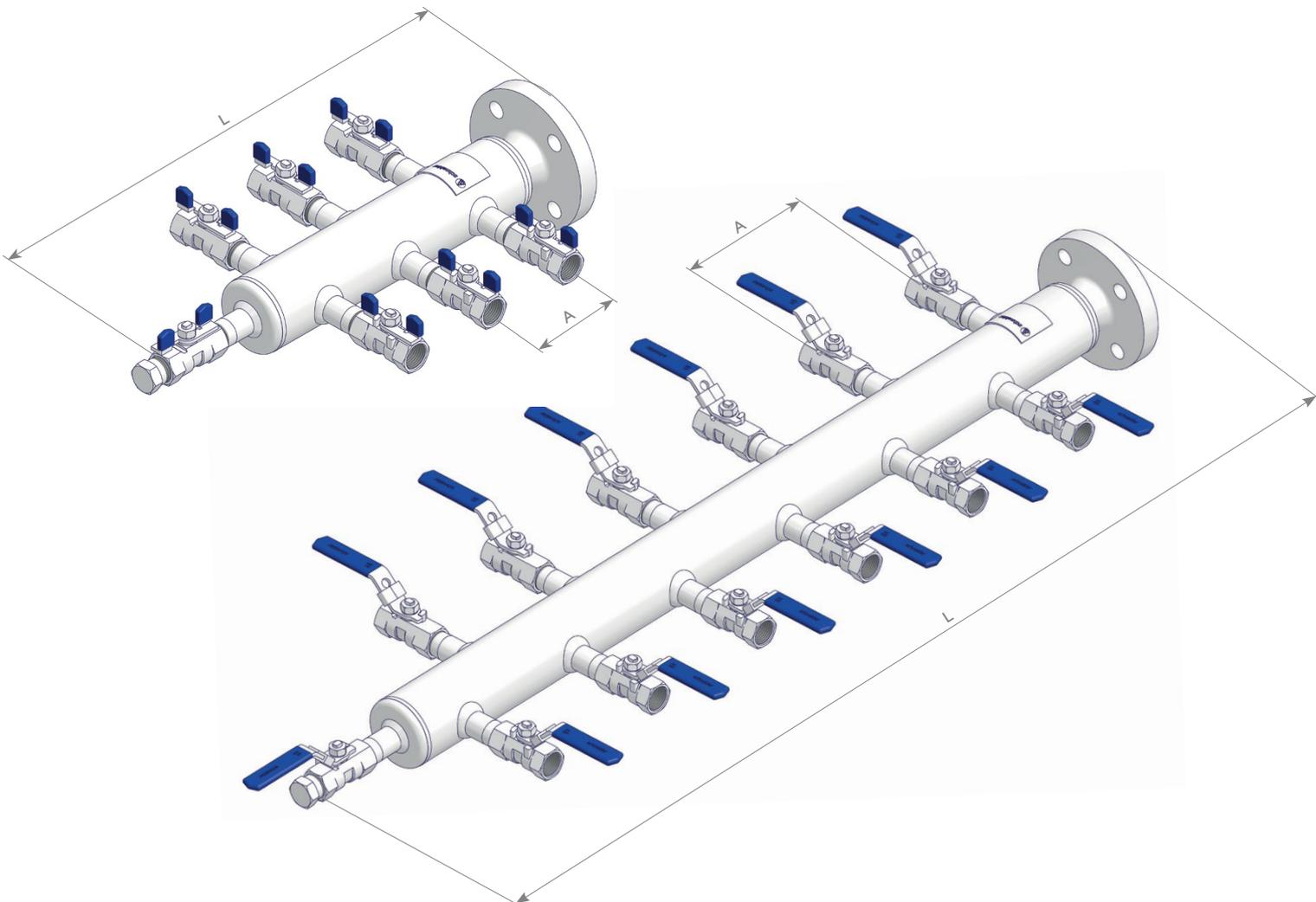
Optional Features

- Mounting Bracket
- Certificates according to EN 10204

Pressure-Temperature Rating:

Max. Working Pressure 40 bar (580 psi)

Max. Temperature 50°C (122°F)



Ordering Information

		1	2	3	4	5	6	7	8	9	10	11	12	13	14	15
		L	2	0	6	-	N	G	A	-	A	0	4	4	P	
Air Headers																
Size																
2	2" Pipe															
		Number of Outlet Ports		Approx. Length (L)												
				Dim. A 80 mm	Dim. A 120 mm											
06	6 Outlets (3 on each side)			400 mm	480 mm											
08	8 Outlets (4 on each side)			470 mm	590 mm											
10	10 Outlets (5 on each side)			570 mm	730 mm											
12	12 Outlets (6 on each side)			650 mm	850 mm											
36	6 Outlets (3 on each side, offset)			500 mm	580 mm											
42	12 Outlets (6 on each side, offset)			740 mm	940 mm											
Inlet																
NGA	Flange 1" Class 150 RF			JN6	3/4 NPT Male											
NGB	Flange 1" Class 300 RF			JN8	1 NPT Male											
QLD	Flange EN1092-1 DN25 PN40 B1			LN6	3/4 NPT Female											
JJ6	G 3/4 Male (BSP Parallel)			LN8	1 NPT Female											
JR8	R 1 Male (BSP Tapered)															
LP6	Rp 3/4 Female (BSP Parallel)															
LP8	Rp 1 Female (BSP Parallel)															
		Outlet Port		Dimension A												
A04	Ball Valve 1/2 NPT Female, Butterfly Handle			80 mm												
A02	Ball Valve 1/4 NPT Female, Butterfly Handle			80 mm												
B04	Ball Valve 1/2 NPT Female, Lever Operated			120 mm												
B02	Ball Valve 1/4 NPT Female, Lever Operated			120 mm												
ATD	Ball Valve, Butterfly Handle with Single Ferrule Tube Fitting Size 12S			80 mm												
BTD	Ball Valve, Lever Operated with Single Ferrule Tube Fitting Size 12S			120 mm												
AAD	Ball Valve, Butterfly Handle with Twin Ferrule Tube Fitting A-lok 12 mm			80 mm												
AAM	Ball Valve, Butterfly Handle with Twin Ferrule Tube Fitting A-lok 1/2"			80 mm												
ASD	Ball Valve, Butterfly Handle with Twin Ferrule Tube Fitting Swagelok 12 mm			80 mm												
ASM	Ball Valve, Butterfly Handle with Twin Ferrule Tube Fitting Swagelok 1/2"			80 mm												
BAD	Ball Valve, Lever Operated with Twin Ferrule Tube Fitting A-lok 12 mm			120 mm												
BAM	Ball Valve, Lever Operated with Twin Ferrule Tube Fitting A-lok 1/2"			120 mm												
BSD	Ball Valve, Lever Operated with Twin Ferrule Tube Fitting Swagelok 12 mm			120 mm												
BSM	Ball Valve, Lever Operated with Twin Ferrule Tube Fitting Swagelok 1/2"			120 mm												
004	1/2 NPT Male			80 mm												
002	1/4 NPT Male			80 mm												
Drain Connection																
4	Valve Type as above, 1/2 NPT plugged															
2	Valve Type as above, 1/4 NPT plugged															
J	1/2 NPT Male															
H	1/4 NPT Male															
Material																
P	Stainless Steel															
Options – Specify in alphabetical order (digits first, then letters)																
P	Mounting Bracket for 2" Pipe c/w 'U' Bolt															
W	Mounting Bracket for Wall Mounting															



schneider

Tailored to Your Business



Armaturenfabrik Franz Schneider GmbH + Co. KG

Bahnhofplatz 12 | 74226 Nordheim
Deutschland / Germany

Tel: +49 71 33 101-0

Fax: +49 71 33 101-148



www.as-schneider.com



AS-Schneider Asia-Pacific Pte. Ltd.

970 Toa Payoh North, #02-12/14/15
Singapore 318992

Tel: +65 62 51 39 00

Fax: +65 62 51 39 90



www.as-schneider.sg



Armaturenfabrik Franz Schneider SRL

Sales Office:
Str. Basarabilor, Nr. 7 | 100036 Ploiesti
Romania

Tel: +40 244 384 963

Fax: +40 244 384 963

Production Plant:
Str. Mihai Viteazu, Nr. 327i | 507085 Harman
Jud. Braşov | Romania

Tel: +40 368 41 40 25

Fax: +40 368 41 40 26



www.as-schneider.ro



AS-Schneider Middle East FZE

P.O. Box 18749 | Dubai
United Arab Emirates

Tel: +971 4 880 85 75

Fax: +971 4 880 85 76



www.as-schneider.ae



AS-Schneider America, Inc.

17471 Village Green Dr | Houston, TX 77040
United States of America

Tel: +1 281 2 58 42 63

Fax: +1 281 5 06 79 35



www.as-schneider.com