

# OEM pressure transmitter

## For technical and medical gases

### Model PGT04

WIKA data sheet PE 81.81

## Applications

- For measuring static pressures in dry gaseous media that will not attack copper alloy parts
- Technical gases
- Medical gases

## Special features

- Measuring ranges from 0 ... 100 to 0 ... 400 bar
- Compact and robust design
- Output signal 0.5 ... 4.5 V @ DC 5 V (ratiometric)
- Electrical connection: Circular connector M12 x 1



OEM pressure transmitter model PGT04

## Description

### Outstanding performance

Very good resistance to the effects of external shock and vibration and also IP65 ingress protection qualify the PGT04, in particular, for the operating conditions in the technical and medical gases sector.

For the case, a highly resistant glass-fibre reinforced plastic (PTB) has been selected. This material has been successfully used within the automotive industry for many years.

Very good EMC characteristics in accordance with EN 61326-1 and EN 61326-2-3 enable reliable operation even under severe EMC conditions.

### Interesting price-performance ratio

The model PGT04 pressure transmitter has been specifically developed for OEM applications. Especially for high-volume OEM requirements, this product concept assures a very interesting price-performance ratio.

### Individual customer variants

Based on many years experience in manufacturing and development, WIKA is also happy to offer customer-specific solutions.

## Specifications

OEM pressure transmitter model PGT04	
<b>Measuring range</b>	<ul style="list-style-type: none"> <li>■ 0 ... 100 bar</li> <li>■ 0 ... 160 bar</li> <li>■ 0 ... 200 bar</li> <li>■ 0 ... 315 bar</li> <li>■ 0 ... 400 bar</li> </ul>
<b>Pressure limitation</b>	Steady: 3/4 x upper limit of measuring range, short time: Upper limit of measuring range
<b>Measuring principle</b>	Helical tube, Hall sensor
<b>Material</b>	
Wetted parts	Brass, CuBe
Case	Highly resistant glass-fibre reinforced plastic (PBT)
<b>Process connection</b>	G 1/4 B (male)
<b>Electronics</b>	
Output signal	0.5 ... 4.5 V (ratiometric)
Power supply $U_B$	DC 5 V
Permissible max. load $R_A$	$R_A > 5 \text{ k}\Omega$
Insulation voltage	AC 500 V
<b>Accuracy</b>	$\leq 5.0 \%$ of span incl. non-linearity, hysteresis, zero offset and end value deviation
<b>Permissible temperature ranges</b>	
Medium	-20 ... +60 °C
Ambient	-20 ... +60 °C
Storage	-40 ... +70 °C
<b>Temperature effect</b>	$\leq 0.8 \%$ of span/10 K
<b>Shock resistance</b>	150 m/s <sup>2</sup> (analogous to EN 837-1)
<b>Vibration resistance</b>	5 m/s <sup>2</sup> (analogous to EN 837-1)
<b>Wiring protection</b>	
Overvoltage protection	In accordance with EMC testing per EN 61000-4-(2-6)
Reverse polarity protection	Depending on the design
<b>Ingress protection</b>	IP65 per EN/IEC 60529 when connected

## Options

- Other media on request
- Other measuring ranges on request
- Other process connections on request
- Other versions on request

## Approvals

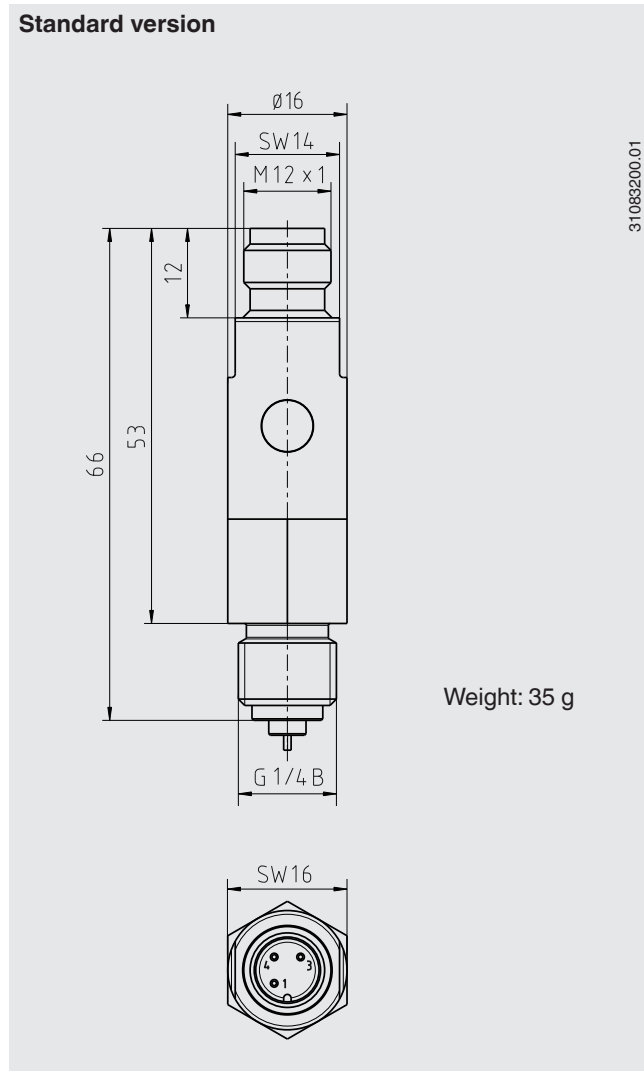
Logo	Description	Country
	<b>EC declaration of conformity</b> <ul style="list-style-type: none"> <li>■ EMC directive</li> <li>■ Pressure equipment directive</li> </ul>	European Community

## Certificates (option)

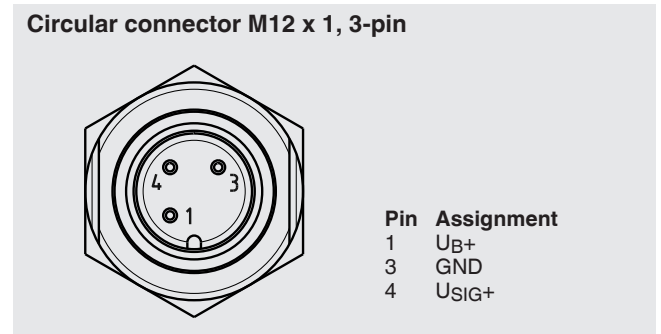
- 2.2 test report per EN 10204 (e.g. state-of-the-art manufacturing, indication accuracy)
- 3.1 inspection certificate per EN 10204 (e.g. indication accuracy)

Approvals and certificates, see website

## Dimensions in mm



## Electrical connection



## Ordering information

Model / Measuring range / Connection size / Options

© 2016 WIKA Alexander Wiegand SE & Co. KG, all rights reserved.  
The specifications given in this document represent the state of engineering at the time of publishing.  
We reserve the right to make modifications to the specifications and materials.

WIKA data sheet PE 81.81 · 04/2016

Page 3 of 3

