

# Bourdon tube pressure gauge Test gauge series, class 0.6 Model 312.20

WIKA data sheet PM 03.01



for further approvals  
see page 3

## Applications

- For gaseous and liquid media that are not highly viscous or crystallising and will not attack copper alloy parts
- Precision measurement in laboratories
- High-accuracy pressure measurement
- Testing of industrial type pressure gauges

## Special features

- Knife edge pointer for optimal accuracy of reading
- Precise movement with wear parts of argentan
- Scale ranges up to 0 ... 600 bar



Test gauge series model 312.20

## Description

### Design

EN 837-1

### Nominal size in mm

160

### Accuracy class

0.6

### Scale ranges

0 ... 0.6 to 0 ... 600 bar  
or all other equivalent vacuum or combined pressure and vacuum ranges

### Adjustment medium

≤ 25 bar: Gas  
> 25 bar: Liquid

### Pressure limitation

Steady: Full scale value  
Fluctuating: 0.9 x full scale value  
Short time: 1.3 x full scale value

### Permissible temperature

Ambient: -40 ... +60 °C  
Medium: +80 °C maximum

### Temperature effect

When the temperature of the measuring system deviates from the reference temperature (+20 °C):  
max. ±0.4 %/10 K of full scale value

### Ingress protection

IP 54 per EN 60529 / IEC 529

## Standard version

### Process connection

Cu-alloy,  
lower mount (LM) or lower back mount (LBM),  
G ½ B (male), 22 mm flats

### Pressure element

< 100 bar: Cu-alloy, C-type  
≥ 100 bar: Stainless steel 316L, helical type

### Movement

Cu-alloy, wear parts argentan

### Dial

Aluminium, white, black lettering

### Pointer

Knife edge pointer, aluminium, black

### Case

Stainless steel

### Window

Instrument glass

### Bezel ring

Cam ring (bayonet type), stainless steel

## Options

- Other process connection
- Sealings (model 910.17, see data sheet AC 09.08)
- Liquid filling (model 333.50, data sheet PM 03.06)
- Increased medium temperature to 100 °C with special soft solder
- Increased medium temperature to 200 °C (data sheet PM 03.06)
- Panel or surface mounting flange, stainless steel
- Triangular bezel, polished stainless steel, with clamp
- Higher indication accuracy: Class 0.25
- Mirror band scale
- Zero point adjustable from outside (adjustable dial)
- Adjustment medium gas from 25 bar
- Switch contacts (data sheet AC 08.01)
- Transport case

## CE conformity

### Pressure equipment directive

97/23/EC, PS > 200 bar, module A, pressure accessory

## Approvals

- **GOST**, metrology/measurement technology, Russia
- **GOST-R**, import certificate, Russia
- **CRN**, safety (e.g. electr. safety, overpressure, ...), Canada

## Certificates <sup>1)</sup>

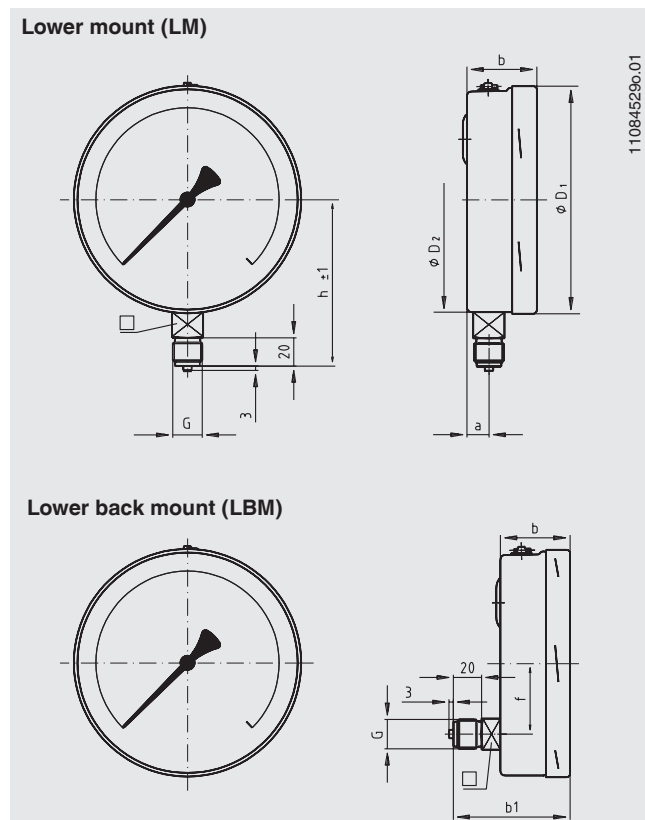
- 2.2 test report per EN 10204 (e.g. state-of-the-art manufacturing, material proof, indication accuracy)
- 3.1 inspection certificate per EN 10204 (e.g. material proof wetted parts metal component, indication accuracy)
- DKD/DAkkS certified accuracy

<sup>1)</sup> Option

Approvals and certificates, see website

# Dimensions in mm

## Standard version



NS	Dimensions in mm									Weight in kg
	a	b	b <sub>1</sub>	D <sub>1</sub>	D <sub>2</sub>	f	G	h ±1	SW	
160	15.5 <sup>1)</sup>	49.5 <sup>1)</sup>	83 <sup>1)</sup>	161	159	50	G ½ B	118	22	1.10

Process connection per EN 837-1 / 7.3  
 1) Plus 16 mm with scale ranges ≤ 4 bar and ≥ 100 bar

## Ordering information

Model / Nominal size / Scale range / Connection size / Connection location / Options

© 2006 WIKA Alexander Wiegand SE & Co. KG, all rights reserved  
 The specifications given in this document represent the state of engineering at the time of publishing.  
 We reserve the right to make modifications to the specifications and materials.



**WIKA Alexander Wiegand SE & Co. KG**  
 Alexander-Wiegand-Straße 30  
 63911 Klingenberg/Germany  
 Tel. +49 9372 132-0  
 Fax +49 9372 132-406  
 info@wika.de  
 www.wika.de