

Temperature controller with digital indicator Model SC64

WIKA data sheet AC 85.25

Applications

- Temperature control in large plant:
 - Compressors
 - Refrigeration technology
 - Domestic and industrial heating

Special features

- Temperature controller and digital indicator in a single instrument
- Long service life
- Simple operation
- High contact rating, up to 16 A
- For panel mounting



Temperature controller with digital indicator, model SC64

Description

The model SC64 is a temperature controller for simple thermostat applications. It features simple operation and a high switch rating.

The round design enables the model SC64 to be used as an alternative to the purely mechanical combistat (model SC15). In comparison to a mechanical thermostat, the SC64 can handle significantly more switching cycles and thus has a higher operation life.

Standard version

Nominal size in mm

60

Sensor element

Pt100 resistance thermometer (standard) or PTC (selectable via software menu)

Measuring range

Pt100: -80 ... +400 °C

PTC: -50 ... +130 °C

Measuring accuracy

±1 K or ±0.5 % of measuring range

(greater value applies)

The actual value display can be an integer or have a resolution of 0.5 K or 0.1 K

Display

3-digit LED display, 13 mm high, colour red

Power supply

Model SC64.230:

AC 230 V, 50/60 Hz, current consumption max. 20 mA

Model SC64.024:

AC 12 ... 24 V, DC 16 ... 36 V, current consumption max. 30 mA

Switching output

Relays 16 A resistive load, (2.2 A inductive load), 250 V, contact normally open

Electrical connections

Pin 1 up to 4: Fast-on connection 6.3 x 0.8 mm

Pin 5 and 6: Fast-on connection 2.8 x 0.5 mm

Case

Plastic, black

Weight

approx. 200 g

Ingress protection

Front panel IP 65 (for panel mounting)

Terminals IP 00

Mounting option

Panel mounting with mounting bracket

Permissible ambient conditions

Storage temperature -20 ... +70 °C

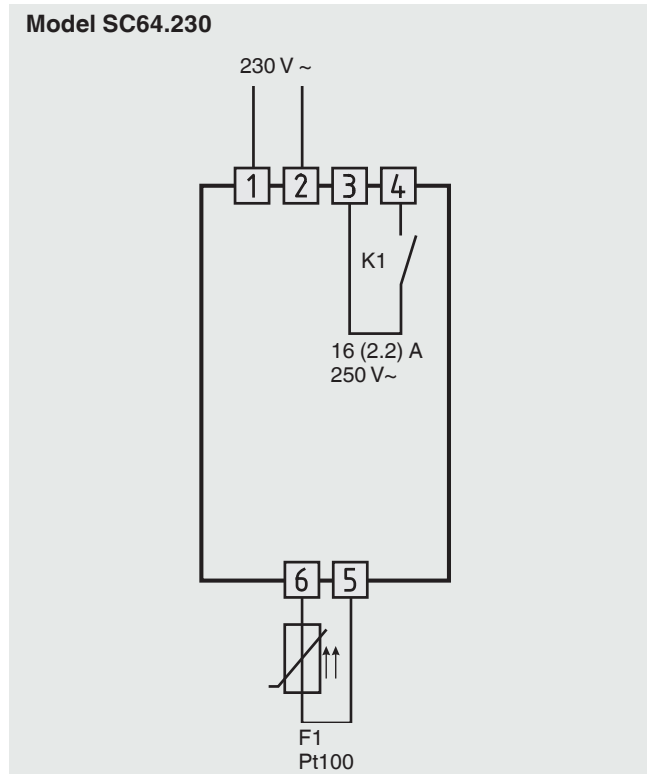
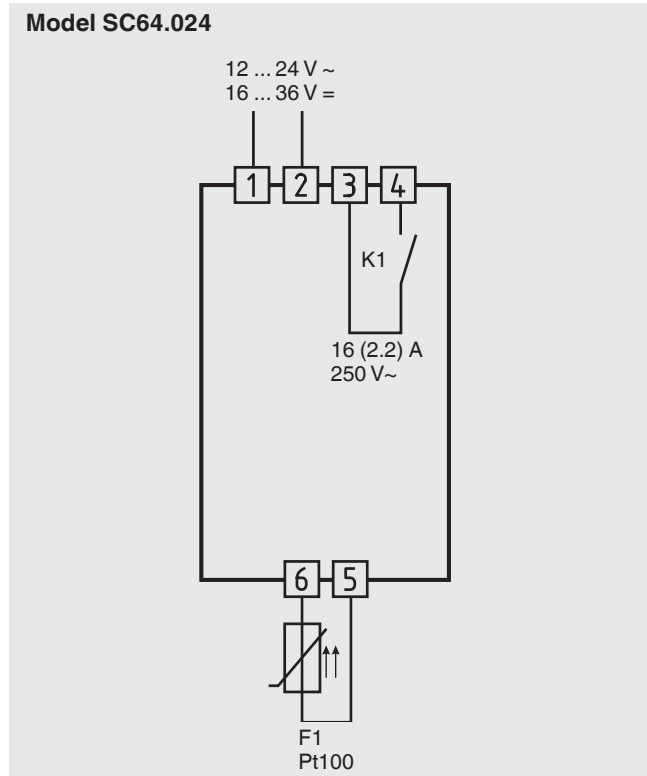
Operating temperature 0 ... 50 °C

Relative humidity max. 75 %, no condensation

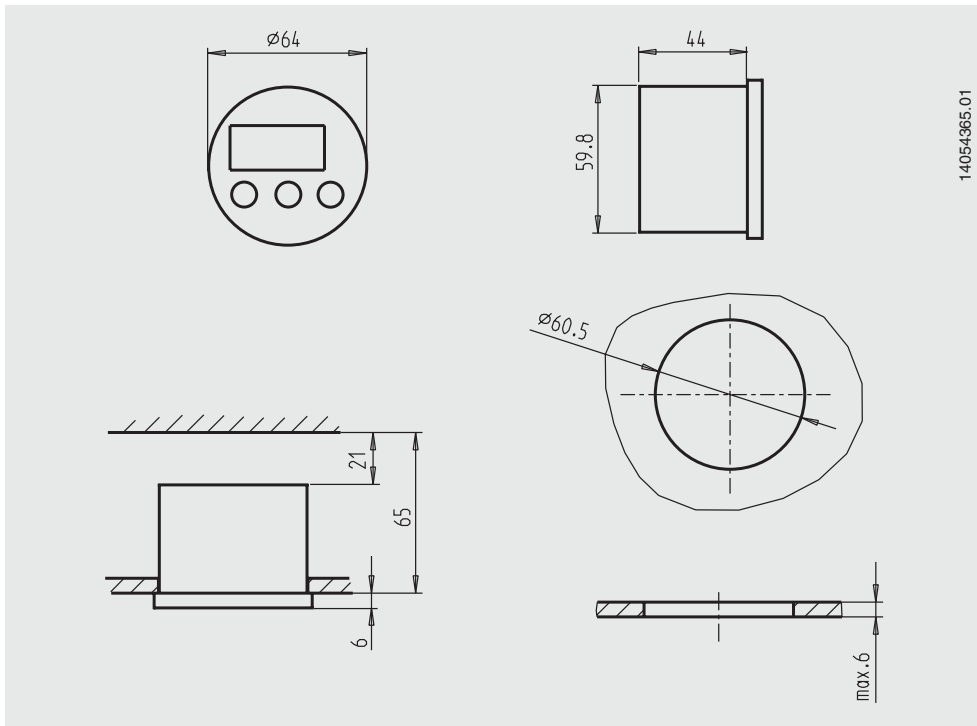
CE conformity

- EMC directive
2004/108/EG, EN 61326 Emission (group 1, class B) and interference immunity (industrial application)
- Low voltage directive
2006/95/EG, EN 60730-1 and EN 60730-2-9

Connection diagram



Dimensions in mm



Order information

Instrument version	Order no.
Model SC64.230 (AC 230 V)	14054687
Model SC64.024 (AC 12 ... 24 V or DC 16 ... 32 V)	14054709

Ordering information

To order the described product the given order number is sufficient.

© 2012 WIKA Alexander Wiegand SE & Co. KG, all rights reserved.
 The specifications given in this document represent the state of engineering at the time of publishing.
 We reserve the right to make modifications to the specifications and materials.

