

Bourdon tube pressure gauge Model 113.13, liquid filling, plastic case

WIKA data sheet PM 01.04

Applications

- For measuring points with high dynamic pressure loads or vibrations
- For gaseous and liquid media that are not highly viscous or crystallising and will not attack copper alloy parts
- Hydraulics
- Compressors

Special features

- Vibration and shock resistant
- Reliable and cost-effective
- Design per EN 837-1
- Scale ranges up to 0 ... 400 bar



Bourdon tube pressure gauge model 113.13

Description

Design

EN 837-1

Nominal size in mm

40, 50 and 63

Accuracy class

2.5

Scale ranges

0 ... 1 to 0 ... 400 bar
or all other equivalent vacuum or combined pressure and vacuum ranges

Pressure limitation

Steady: 3/4 x full scale value
Fluctuating: 2/3 x full scale value
Short time: Full scale value

Permissible temperature

Ambient: -20 ... +60 °C
Medium: +60 °C maximum

Temperature effect

When the temperature of the measuring system deviates from the reference temperature (+20 °C): max. $\pm 0.4 \%$ /10 K of the span

Ingress protection

IP 65 per EN 60529 / IEC 529

Standard version

Process connection

Cu-alloy,
lower mount (LM) or centre back mount (CBM) (NS 40 only
back mount)

NS 40: G 1/8 B (male), 12 mm flats

NS 50, 63: G 1/4 B (male), 14 mm flats

Pressure element

Cu-alloy,
≤ 60 bar: C-type
> 60 bar: Helical type

Movement

Cu-alloy

Dial

Plastic, white, black lettering, with pointer stop pin

Pointer

Plastic, black

Case

NS 40: Plastic, black, cylindrical

NS 50, 63: Plastic, black, with front flange

O-ring seal between case and connection (with scale ranges
≤ 0 ... 6 bar ventable)

Window

Plastic, crystal-clear, welded with case

Filling liquid

Glycerine 99.7 %

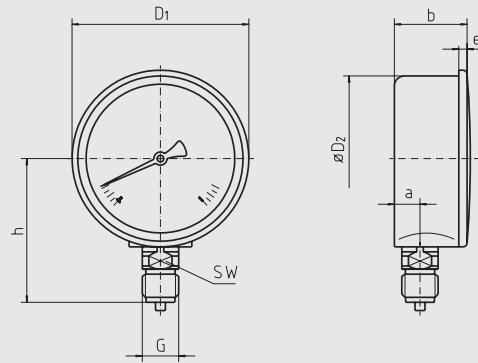
Options

- NS 50, 63: Panel mounting flange
- Mounting clamp (only for back connection)

Dimensions in mm

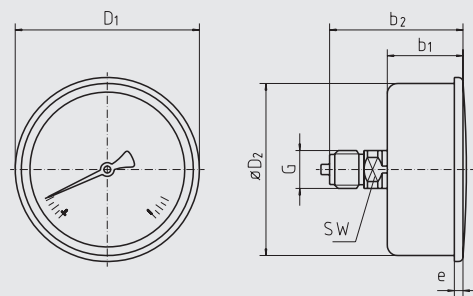
Standard version

Lower mount (LM), NS 50, 63



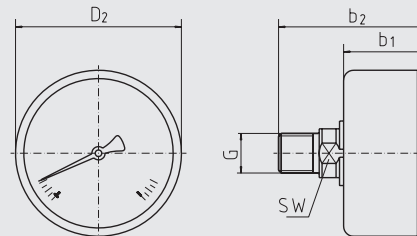
1034502.01

Centre back mount (CBM) (NS 50, 63)



1034510.01

Centre back mount (CBM), NS 40



1034499.01

NS	Dimensions in mm										Weight in kg
	a	b	b ₁	b ₂	D ₁	D ₂	e	G	h ± 1	SW	
40	-	-	26.5	42.5	-	41	-	G 1/8 B	-	12	0.13
50	11.5	27	29	53	55	51	5	G 1/4 B	48	14	0.17
63	11.5	27	29	53	68	62.5	5	G 1/4 B	54	14	0.21

Process connection per EN 837-1 / 7.3

Ordering information

Model / Nominal size / Scale range / Connection size / Options

© 2005 WIKA Alexander Wiegand SE & Co. KG, all rights reserved.
The specifications given in this document represent the state of engineering at the time of publishing.
We reserve the right to make modifications to the specifications and materials.



WIKAI Alexander Wiegand SE & Co. KG
Alexander-Wiegand-Straße 30
63911 Klingenberg/Germany
Tel. (+49) 9372/132-0
Fax (+49) 9372/132-406
E-mail info@wika.de
www.wika.de