

NAVITRAG

Swiss based Trafag is a leading international supplier of high quality sensors and monitoring instruments for measurement of pressure and temperature.



Applications

- Shipbuilding
- Engine manufacturing



Features

- Excellent long-term stability
- Protection IP65
- EMC protection, IEC 61000
- Excellent resistance to pressure peaks and dynamic pressure changes

Technical Data



Measuring principle	Thin film on steel	Media temperature	-25°C ... +125°C
Measuring range	0 ... 1.0 to 0 ... 600 bar	Ambient temperature	-25°C ... +85°C
Output signal	4 ... 20 mA	Approval / conformity	ABS, BV, CCS, DNV, GL, KRS, LRS, RINA
Accuracy @ 25°C typ.	± 0.5 % FS typ.		

09/2016

Data sheet H72206i

Subject to change

Ordering information/type code

				8202 .	XX	XX	XX	XX	XX
Measuring range ¹⁾	Pressure measurement range [bar]	Over pressure [bar]	Burst pressure [bar]						
	0 ... 1.0	3	100	71					
	0 ... 1,6	3	100	73					
	0 ... 2.5	6	100	75					
	0 ... 4	10	100	76					
	0 ... 6	15	100	77					
	0 ... 10	20	200	78					
	0 ... 16	32	200	79					
	0 ... 25	80	300	80					
	0 ... 40	80	300	81					
	0 ... 60	200	500	82					
	0 ... 100	200	500	83					
	0 ... 160	500	1000	85					
	0 ... 250	500	1000	74					
	0 ... 400	800	1500	84					
	0 ... 600	1000	2000	86					
Sensor	relative								22
	absolute								26
Pressure connection	G1/4" female								10
	G1/2" male								11
Fixing	Wall mounting bracket								31
Accessories	 Connector with marine cable gland DIN89280, M24x1.5 (Cable-ø 14...16.5)								27
	 Connector with marine cable gland DIN89280, M18x1.5 (Cable-ø 8...10.5)								40
	Cable gland for screened cable, Cable ø 6...12mm								28
	Damping elements and Snubber: See specification sheet H72258								

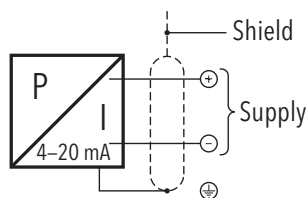
¹⁾ Customized pressure ranges upon request

Standard products (extra short lead time)

Product No.	Type Code	Pressure range [bar]	Over pressure max. [bar]	Supply [VDC]	Accuracy @ 25°C typ. [%]
N1.0	8202 71 2210	0...1	3	12...34	± 0.5
N2.5	8202 75 2210	0...2.5	6	12...34	± 0.5
N4.0	8202 76 2210	0...4	10	12...34	± 0.5
N6.0	8202 77 2210	0...6	15	12...34	± 0.5
N10.0	8202 78 2210	0...10	20	12...34	± 0.5
N16.0	8202 79 2210	0...16	32	12...34	± 0.5
N25.0	8202 80 2210	0...25	80	12...34	± 0.5
N40.0	8202 81 2210	0...40	80	12...34	± 0.5
N100.0	8202 83 2210	0...100	200	12...34	± 0.5
N250.0	8202 74 2210	0...250	500	12...34	± 0.5
N400.0	8202 84 2210	0...400	800	12...34	± 0.5

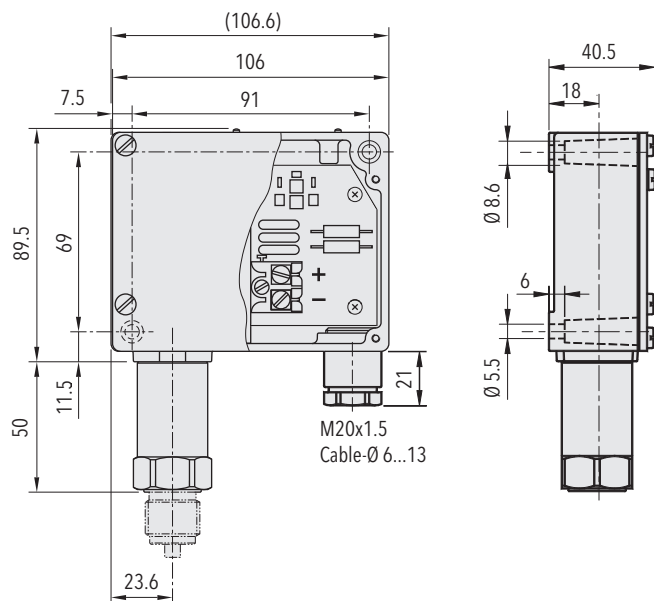
Specifications		
Accuracy	TEB typ. @ -25 ... +85°C	± 2 % FS typ.
	Accuracy @ 25°C typ.	± 0.5 % FS typ.
	NLH @ 25°C (BSL) typ.	± 0.3 % FS typ.
	TC zero point and span typ.	± 0.02 % FS/K typ.
	Long term stability 1 year typ.	± 0.2 % FS typ.
Electrical Data	Output / supply voltage	4 ... 20 mA: 24 (12 ... 34)VDC
	Load	$U_{\text{supply}} - 12V / 20 \text{ mA}$
	Rise time	typ. 1 ms/10...90 % nominal pressure
Environmental conditions	Media temperature	-25°C ... +125°C
	Ambient temperature	-25°C ... +85°C
	Protection	Min. IP65
	Humidity	Max. 95 % relative
	Vibration	6g (25...2000 Hz)
	Shock	50g/ 11 ms
EMC Protection	Emission	EN/IEC 61000-6-3
	Immunity	EN/IEC 61000-6-2
Mechanical Data	Electrical connections	Terminal screw 0.75 ... 2.5 mm ²
	Screwed cable gland	M20x1.5 Cable-Ø 6...13 mm
	Sensor (wetted parts)	1.4542 (AISI630)
	Pressure connection (wetted parts)	1.4542 (AISI630)
	Housing	AlSi10Mg/ Epoxy coated
	Sealing	NBR 70 Sh
	Weight	~ 520 g
	Mounting torque	25 Nm

Electrical Connection

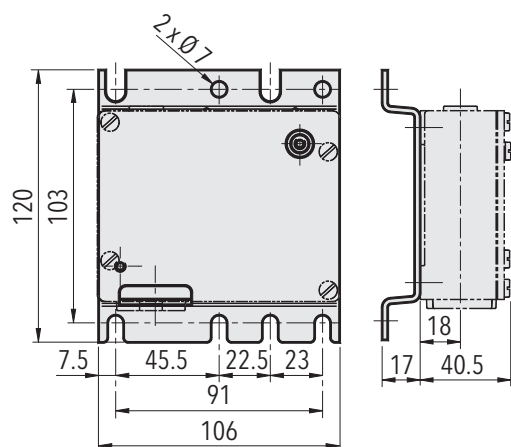


Additional information		
Documents	Data sheet	www.trafag.com/H72206
	Instructions	www.trafag.com/H70722
	Flyer	www.trafag.com/H70677

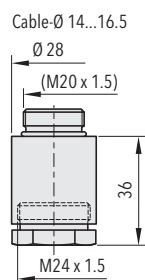
Dimensions



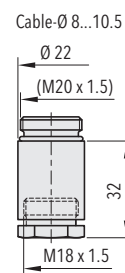
8202.XX.XXXX.XX.XX



8202.XX.XXXX.31.XX



8202.XX.XXXX.XX.27



8202.XX.XXXX.XX.40