

# Bourdon tube pressure gauge with electronic pressure switch Stainless steel case, ingress protection IP 41 Model PGS07

WIKA data sheet PV 21.06

**switchGAUGE**

## Applications

- General machine building
- Medical gases

## Special features

- Non-contact sensor (wear-free)
- Robust stainless steel case
- Scale ranges 0 ... 1.6 bar to 0 ... 400 bar
- NPN or PNP switching outputs
- Both switch points factory-programmable between 5 % and 95 % of the scale range



switchGAUGE model PGS07

## Description

### Design

EN 837-1

### Nominal size in mm

40, 50

### Accuracy class

2.5

### Scale ranges

0 ... 1.6 to 0 ... 400 bar

or all other equivalent vacuum or combined pressure and vacuum ranges

### Pressure limitation

Steady: 3/4 x full scale value

Fluctuating: 2/3 x full scale value

Short time: Full scale value

### Permissible temperature

Ambient: -20 ... +60 °C

Medium: +60 °C maximum

### Temperature effect

When the temperature of the measuring system deviates from the reference temperature (+20 °C): max.  $\pm 0.4 \%$ /10 K of the span

### Process connection

Cu-alloy,

Lower mount (LM) or centre back mount (CBM)

G 1/4 B (male), 14 mm flats

### Pressure element

Cu-alloy, C-type

### Movement

Cu-alloy

### Dial

Plastic, white, black lettering

### Pointer

Plastic, black

## Case

Stainless steel

## Window

Plastic, crystal-clear (PC)

## Ingress protection

IP 41 per EN 60529 / IEC 529

## Electronics

### Switching output

- NPN

- PNP

Normally closed (NC) or normally open (NO)

NS 40: 1 switching output

NS 50: 1 or 2 switching outputs selectable

### Supply voltage (Us)

DC 12 ... 32 V

### Electrical connections

Cable outlet, standard length 2 m

Colour	Assignment
red	UB +
black	GND
orange	SP1
brown	SP2

### Switching current

Max. 1 A, short-circuit-proof

### Electromagnetic compatibility

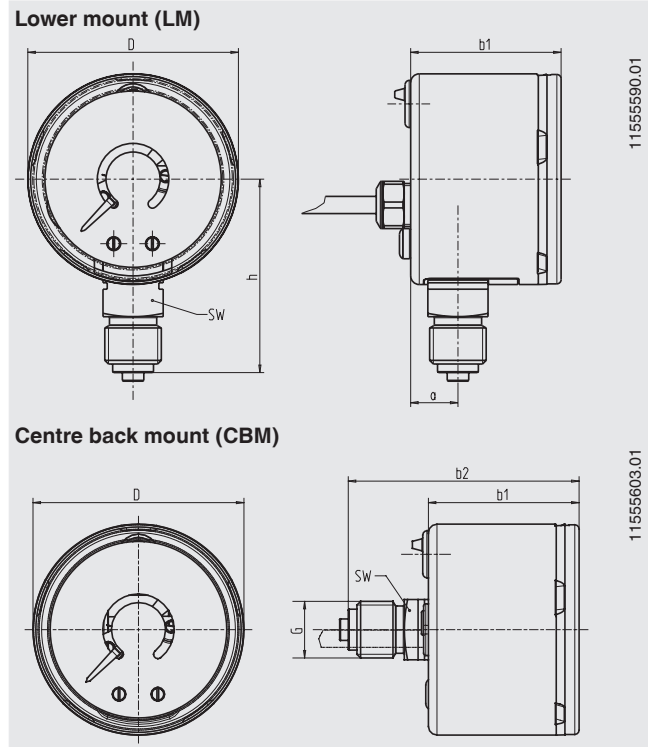
Per test standards EN 61000-4-6 / EN 61000-4-3

## Options

- Other process connection (with adapter, Cu-alloy)
- Other cable length

## Dimensions in mm

### Standard version



NS	Dimensions in mm							SW	Weight in kg
	a	b <sub>1</sub>	b <sub>2</sub>	D	G	h			
40	9	30.6	48	40	G 1/8 B	36	14	0.1	
50	10	35.5	53.5	49	G 1/4 B	45	14	0.2	

Process connection per EN 837-1 / 7.3

## Ordering information

Model / Nominal size / Scale range / Connection size / Connection location / Switch point and function (1 or 2) / Options

© 2010 WIKA Alexander Wiegand SE & Co. KG, all rights reserved.  
The specifications given in this document represent the state of engineering at the time of publishing.  
We reserve the right to make modifications to the specifications and materials.



**WIKAL Alexander Wiegand SE & Co. KG**  
 Alexander-Wiegand-Straße 30  
 63911 Klingenberg/Germany  
 Tel. (+49) 9372/132-0  
 Fax (+49) 9372/132-406  
 E-mail info@wika.de  
 www.wika.de