

EX DIFFERENTIAL PRESSOSTAT

Swiss based Trafag is a leading international supplier of high quality sensors and monitoring instruments for measurement of pressure and temperature.



Applications

- Ex II 2 G / D

Features

- Rugged aluminium housing
- Protection IP66
- Ex d e IIC T6 Gb
- Ex tb IIIC T80°C Db
- Any mounting position possible

Technical Data			
Measuring principle	Bellow	Repeatability	± 1.0 % FS typ.
Measuring range	-1 ... 6 to -1 ... 18 bar	Media temperature	-50°C ... +150°C
Differential pressure	-0.6 ... 3.4 to 1 ... 16 bar	Ambient temperature	-50°C ... +65°C
Output signal	1 Floating change-over contact (SPDT)	Approval / conformity	SEV 15 ATEX 0157 X
Switching differential	Not adjustable	Type of protection	Areas with gas explosion hazards: II 2 G Ex d e IIC T6 Gb; Areas with dust explosion hazards: II 2 D Ex tb IIIC T80°C Db

02/2017

Data sheet H722560

Subject to change

Ordering information/type code

		XXX	XX	XX	XXX	XX	XX
Custom build code	With display and adjusting screw	920					
	Without display, with adjusting screw	924					
	With display and adjusting knob	932					
Microswitch	Standard, not adjustable		91				
Range	Range [bar]	Differential pressure [bar]	Over pressure [bar]	Burst pressure [bar]			
	-1 ... 6	-0.6 ... 3.4	12	26			74
	-1 ... 6	0 ... 4	12	26			76
	-1 ... 8	0 ... 6	12	26			77
	-1 ... 12	1 ... 10	24	36			78
	-1 ... 18	1 ... 16	24	36			79
Sensor	Sensor material	Sensor housing material	Thread	Range			
	1.4435	Brass nickel plated	G1/8" female	74			881
	1.4435	Brass nickel plated	G1/8" female	76, 77			883
	1.4435	Brass nickel plated	G1/8" female	78, 79			885
	Bronze	Brass	G1/8" female	74			942
	Bronze	Brass	G1/8" female	76, 77			943
	Bronze	Brass	G1/8" female	78, 79			944
	Bronze	Brass nickel plated	G1/8" female	74			992
	Bronze	Brass nickel plated	G1/8" female	76, 77			993
Bronze	Brass nickel plated	G1/8" female	78, 79			994	
Fixing	Direct on sensor or housing						00
	With mounting bracket						31
Accessories	Adapter G1/8" male - G1/2" male, brass						A6
	Adapter G1/8" male - G1/2" male, brass nickel plated						B6
	Adapter G1/8" male - G1/2" male, stainless steel 1.4435						D6
	Adapter G1/8" male - G1/4" female, brass						A5
	Adapter G1/8" male - G1/4" female, brass nickel plated						B5
	Adapter G1/8" male - G1/4" female, stainless steel 1.4435						D5
	Damping elements and snubber see data sheet H72258						

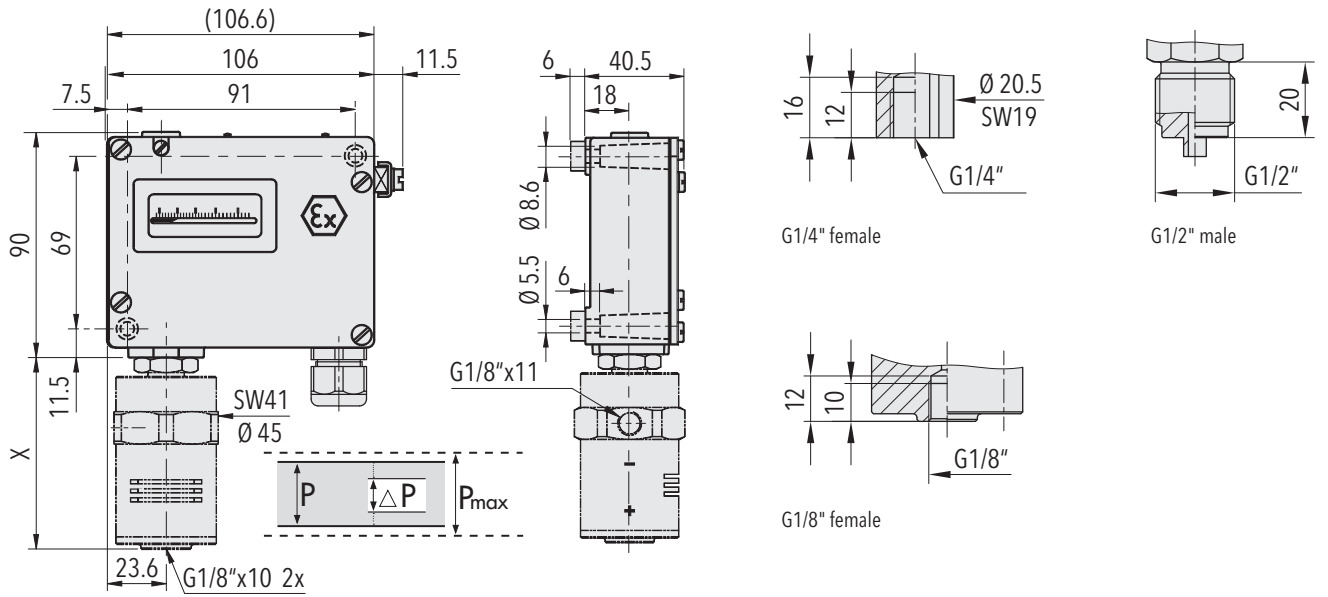
Standard products (extra short lead time)

Product No.	Type Code	Pressure range [bar]	Differential pressure [bar]	Over pressure max. [bar]	Switching differential [bar]	Length X [mm]
EXPD3.4	920 9174 992 00 0000 0000 02	-1 ... +6	-0.6 ... +3.4	12	0.4 (fixed)	77
EXPD6	920 9177 993 00 0000 0000 02	-1 ... +8	0 ... 6	12	0.4 (fixed)	77
EXPD16	920 9179 994 00 0000 0000 02	-1 ... +18	1 ... 16	24	0.7 (fixed)	87

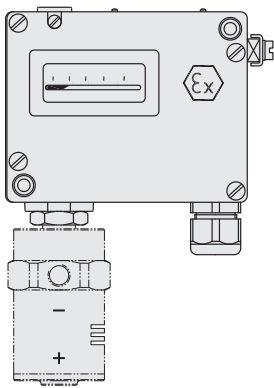
Specifications		
Accuracy	Repeatability	± 1.0 % FS typ.
	Scale accuracy typ.	± 2.0 % FS typ.
	Switching differential	See table
	Adjustment range switchpoint ¹⁾	10% ... 90% FS
Environmental conditions	Ambient temperature	-50°C ... +65°C
	Media temperature	-50°C ... +150°C
	Storage temperature	-50°C ... +65°C
	Protection	IP66
	Humidity	Max. 95 % relative
	Vibration	5...25 Hz: ±1.6 mm 25...100 Hz: 4g
	Shock	50g/ 11ms
Mechanical Data	Sensor	See ordering information
	Housing	AlSi10Mg/ Epoxy coated
	Sealing	NBR
	Screwed cable gland	Polyamide
	Mounting torque	Max. 25 Nm
	Installation	any position
	Weight	~ 610 g
Microswitch	Rating	See table
	Resistance of insulation	> 2 MΩ
	Dielectric strength	1.5 kV
	Life time (mechanical)	1 Mio. cycles
Electrical connection	Electrical connections	Terminal screw
	Cable gland	M20x1.5/SW24 Cable-Ø 5.5...13 mm Approval: PTB 99 ATEX 3128 X
	Terminal screw	3 x 0.5...1.5 mm ²

¹⁾ Other adjustment ranges upon request

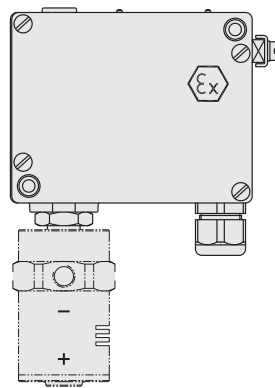
Dimensions



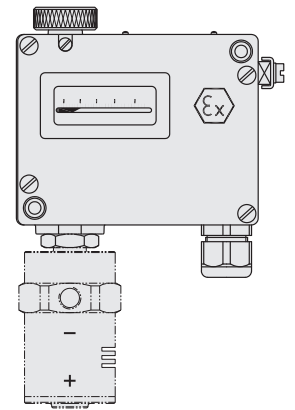
Dimension X see data sheet H72271



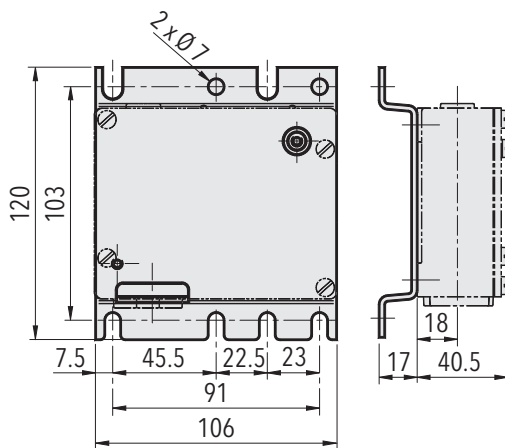
920



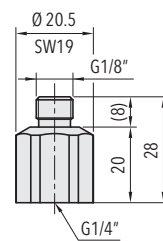
924



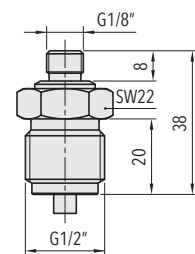
932



9XX.XX.XX.XXX.31.XX



A5/B5/D5



A6/B6/D6

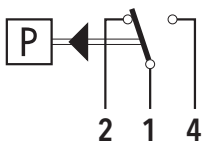
Switching differential typ. @ 25°C

Measuring range of bellows sensor	[bar]	-0.6 ... 3.4	1 ... 10
		0 ... 4	1 ... 16
		0 ... 6	
Microswitch 91	[bar]	0.4	0.9
Switching differential (not adjustable)			

Electrical data switch

Type	Features	Rating	
		Resistive Load (Inductive Load)	
		DC	DC
91	Standard BASO1ATEX2358U Ⓢ II 2 G Ex d IIC T6	250V 5(5) A 125V 5(5) A	250 V 0.25 (0.03) A 125 V 0.5 (0.06) A 75 V 0.75 (0.25) A 50 V 1 (1) A 30 V 5 (3) A 15 V 5 (3) A

Electrical connection



Switch 91

Additional information

Documents		
Data sheet		www.trafag.com/H72256
Instructions		www.trafag.com/H73171
Flyer		www.trafag.com/H70922