

Data sheet

Pressure transmitter with flush diaphragm

MBS 4010



The standard pressure transmitter MBS 4010 with flush diaphragm is designed for use in almost all industrial applications with non-uniform, high viscous or crystallizing mediums, and offers a reliable pressure measurement, even under harsh environmental conditions.

A robust design, an excellent vibration stability and a high degree of EMC / EMI protection equip the pressure transmitter to meet the most stringent industrial requirements.

Features

- Designed for use in severe industrial environments
- Enclosure and wetted parts of acid-resistant stainless steel (AISI 316L)
- O-ring sealing ahead of thread
- Output signal: 4 – 20 mA
- Electrical connections: Plug Pg 9; EN 175301-803-A or 2 m screened cable
- Pressure connection: G ½ A; ISO 228/1
- Temperature compensated and laser calibrated
- For use in zone 2 explosive atmospheres

Technical data
Performance (EN 60770)

| | | |
|--|----------------------------------|-------------------------------|
| Accuracy (incl. non-linearity, hysteresis and repeatability) | | ≤ ± 0.3% FS (typ.) |
| | | ≤ ± 0.8% FS (max.) |
| Non-linearity BFSL (conformity) | | ≤ ± 0.2% FS |
| Hysteresis and repeatability | | ≤ ± 0.1% FS |
| Thermal zero point shift | | ≤ ± 0.1% FS / 10K (typ.) |
| | | ≤ ± 0.2% FS / 10K (max.) |
| Thermal sensitivity (span) shift | | ≤ ± 0.1% FS / 10K (typ.) |
| | | ≤ ± 0.2% FS / 10K (max.) |
| Response time | Liquids with viscosity < 100 cSt | < 4 ms |
| Overload pressure (static) | | 2 × FS |
| Burst pressure | | 4 × FS |
| Durability, P: 10 – 90% FS | | > 10 × 10 ⁶ cycles |

Electrical specifications

| | |
|---|--|
| Nom. output signal (short-circuit protected) | 4 – 20 mA |
| Supply voltage [U _B], polarity protected | 10 – 30 V DC |
| Supply voltage dependency | < 0.1% FS / 10 V |
| Current limitation (linear output signal up to 1.5 × rated range) | 28 mA |
| Load [R _L] (load connected to 0 V) | R _L ≤ (U _B - 10V) / 0.02 A [Ω] |

Environmental conditions

| | | | |
|--|-------------|-------------------------------------|----------------|
| Sensor temperature range | Normal | -40 – 85 °C | |
| | ATEX Zone 2 | -10 – 85 °C | |
| Media temperature range | | 115 - (0.35 × Ambient temp.) | |
| Ambient temperature range (depending on electrical connection) | | See page 5 | |
| Compensated temperature range | | 0 – 80 °C | |
| Transport / storage temperature range | | -50 – 85 °C | |
| EMC – Emission | | EN 61000-6-3 | |
| EMC – Immunity | | EN 61000-6-2 | |
| Insulation resistance | | > 100 MΩ at 100 V | |
| Mains frequency test | | Based on SEN 361503 | |
| Vibration stability | Sinusoidal | 15.9 mm-pp, 5 Hz – 25 Hz | IEC 60068-2-6 |
| | | 20 g, 25 Hz – 2 kHz | |
| | Random | 7.5 g _{rms} , 5 Hz – 1 kHz | IEC 60068-2-64 |
| Shock resistance | Shock | 500 g / 1 ms | IEC 60068-2-27 |
| | Free fall | 1 m | IEC 60068-2-32 |
| Enclosure (IP protection fulfilled together with mating connector) | | See page 5 | |

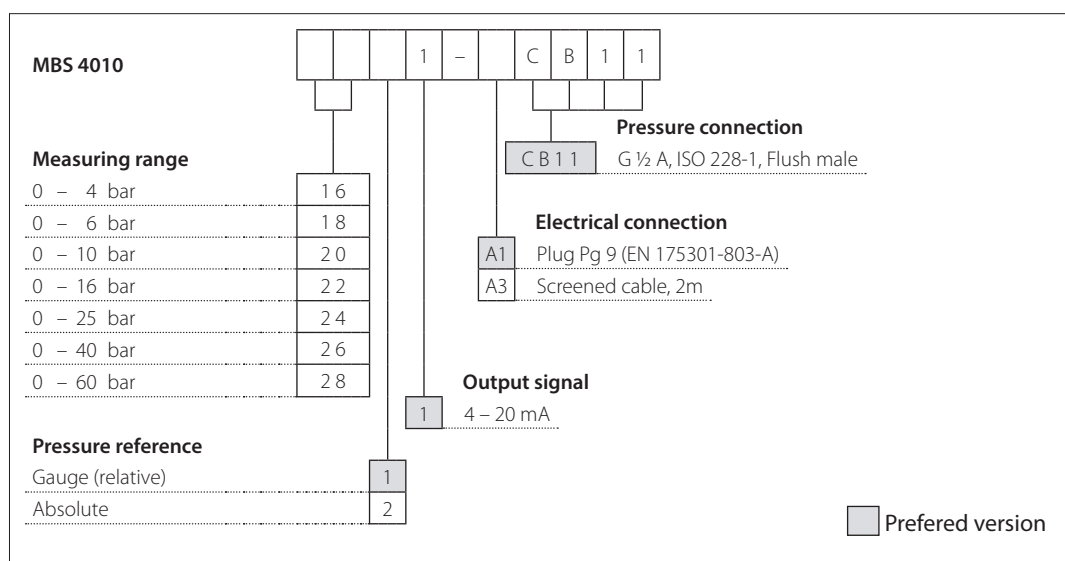
Technical data
(continued)
Explosive atmospheres

| | | |
|---------------------|--|-----------------------|
| Zone 2 applications | II 3G Ex nA IIA T3 Gc -20C<Ta<85C | EN60079-0; EN60079-15 |
|---------------------|--|-----------------------|

When used in ATEX Zone 2 areas at temperatures <-10 °C the cable and plug must be protected against impact.

Mechanical characteristics

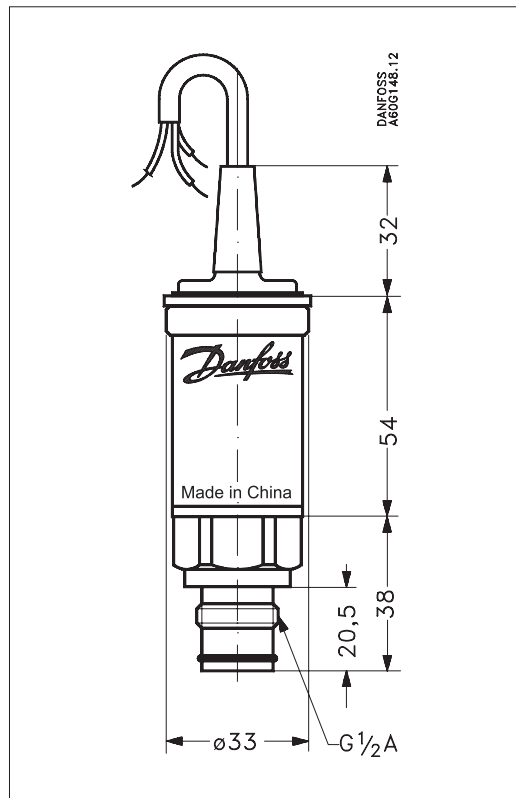
| | | |
|------------------------|----------------------|-------------------------------|
| Materials | Thread | G ½ A, ISO 228/1 |
| | Seal behind thread | DIN 3852 form E, NBR |
| | Seal ahead of thread | O-ring 15 x 2, NBR |
| Gasket (above thread) | Plug | EN 175301-803-A; Pg 9 |
| | Cable | 2 m screened PE-cable |
| Wetted parts, material | | EN 10088-1; 1.4401 (AISI 316) |
| Enclosure material | | EN 10088-1; 1.4401 (AISI 316) |
| Net Weight | | 0,3 kg |

Ordering standard


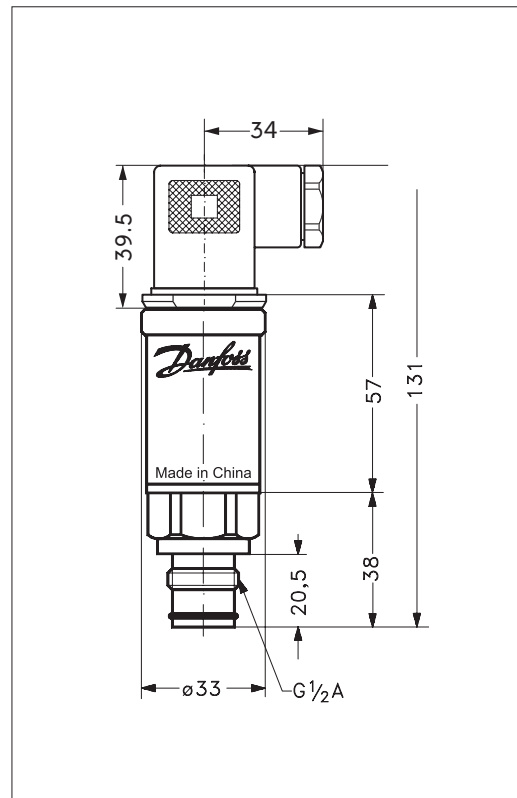
Non-standard build-up combinations may be selected. However, minimum order quantities may apply. Please contact your local Danfoss office for further information or request on other versions.

Dimensions

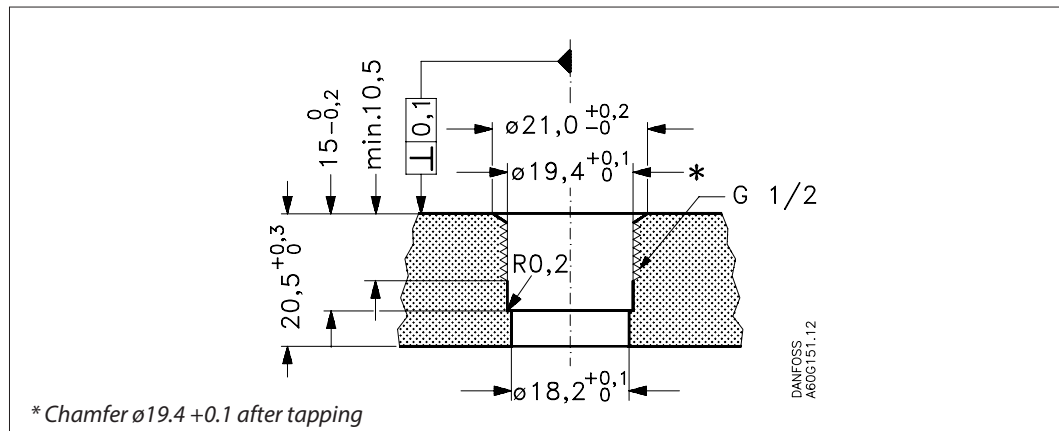
Cable version



Plug version EN 175301-803-A Pg 9

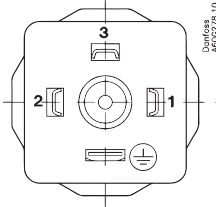
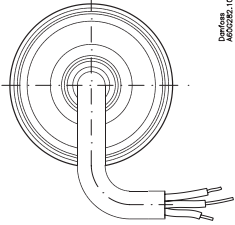



Thread hole for MBS 4010



* Chamfer $\varnothing 19.4 +0.1$ after tapping

Electrical connections

| Type code | A1 | A3 |
|--|---|---|
| |  <p>EN 175301-803-A, Pg 13.5</p> |  <p>2 m screened cable</p> |
| Ambient temperature | -40 – 85 °C | -40 – 85 °C |
| Enclosure (IP protection fulfilled together with mating connector) | IP65 | IP67 |
| Material | Glass filled polyamid, PA 6.6 | Poliolyfin cable with PE shirkage tubing |
| Electrical connection, 4 – 20 mA output (2 wire) | <p>Pin 1: + supply Pin 2: ÷ supply Pin 3: not used</p>  <p>Earth: Connected to MBS enclosure</p> | <p>Brown wire: + supply Black wire: ÷ supply Red wire: not used Orange: not used Screen: not connected to MBS enclosure</p> |

Danfoss can accept no responsibility for possible errors in catalogues, brochures and other printed material. Danfoss reserves the right to alter its products without notice. This also applies to products already on order provided that such alterations can be made without subsequential changes being necessary in specifications already agreed. All trademarks in this material are property of the respective companies. Danfoss and the Danfoss logotype are trademarks of Danfoss A/S. All rights reserved.