

Capsule pressure gauge Edgewise panel design Models 614.11, 634.11

WIKA data sheet PM 06.05



Applications

- For gaseous, dry and non-aggressive media that will not attack copper alloy parts
- Model 614.11: Measuring system copper alloy
Model 634.11: Measuring system stainless steel, also for aggressive media

Special features

- Low scale ranges from 0 ... 2.5 mbar
- Panel mounting
- Zero adjustment in front



Capsule pressure gauge, edgewise panel design,
model 614.11

Description

Design

DIN 43700

Nominal size in mm

72 x 72, 96 x 96, 144 x 144 and 144 x 72

Accuracy class

1.6

Pressure limitation

Steady: Full scale value

Fluctuating: 0.9 x full scale value

Permissible temperature

Ambient: -20 ... +60 °C

Medium: +100 °C maximum

Temperature effect

When the temperature of the measuring system deviates from the reference temperature (+20 °C): max. $\pm 0.6\%/10\text{ K}$ of full scale value

Scale ranges

NS	Scale ranges in mbar			
	Model 614.11		Model 634.11	
72 x 72	0 ... 25	to 0 ... 600	0 ... 25	to 0 ... 600
96 x 96	0 ... 10	to 0 ... 600	0 ... 10	to 0 ... 600
144 x 144	0 ... 6	to 0 ... 600	-	-
144 x 72	0 ... 4	to 0 ... 600	0 ... 2.5	to 0 ... 600

or all other equivalent vacuum or combined pressure and vacuum ranges

Standard version

Process connection

Model 614.11: Copper alloy

Model 634.11: Stainless steel

Back mount (BM)

NS 72 x 72 and 96 x 96: G ¼ B (male), 14 mm flats

NS 144 x 144: G ½ B (male), 22 mm flats

NS 144 x 72: G ½ B (male), 17 mm flats

Pressure element

Model 614.11: Copper alloy

Model 634.11: Stainless steel

Sealing

Model 614.11: NBR

Model 634.11: Viton®

Movement

Copper alloy, wear parts argentan, with zero adjustment

Dial

Aluminium, white, black lettering

Pointer

Aluminium, black

Case (DIN 43700)

NS 72 x 72, 96 x 96, 144 x 144: Steel, galvanised

NS 144 x 72: Steel, black

Window

NS 144 x 72: Instrument glass

NS 72 x 72, 96 x 96 and 144 x 144: Clear non-splintering plastic

Panel frame (DIN 43718)

Steel, black, narrow, snap-fit

Viton® fluoroelastomer is a registered trademark of DuPont Performance Elastomers.

Options

- Other process connection
- Sealings (model 910.17, see data sheet AC 09.08)
- Overpressure and vacuum safety with
 - scale ranges ≤ 25 mbar: 3 x full scale value
 - scale ranges > 25 mbar: 10 x full scale value
- Wide panel frame

Special version

Edgewise panel design with switch contact

NS 144 x 72, max. two switch contacts,
scale ranges 0 ... 40 to 0 ... 600 mbar,
with bellow-capsule element, arranged in cylindric
measuring chamber on case bottom

Approvals

- **GOST**, metrology/measurement technology, Russia
- **GOST-R**, import certificate, Russia

Certificates ¹⁾

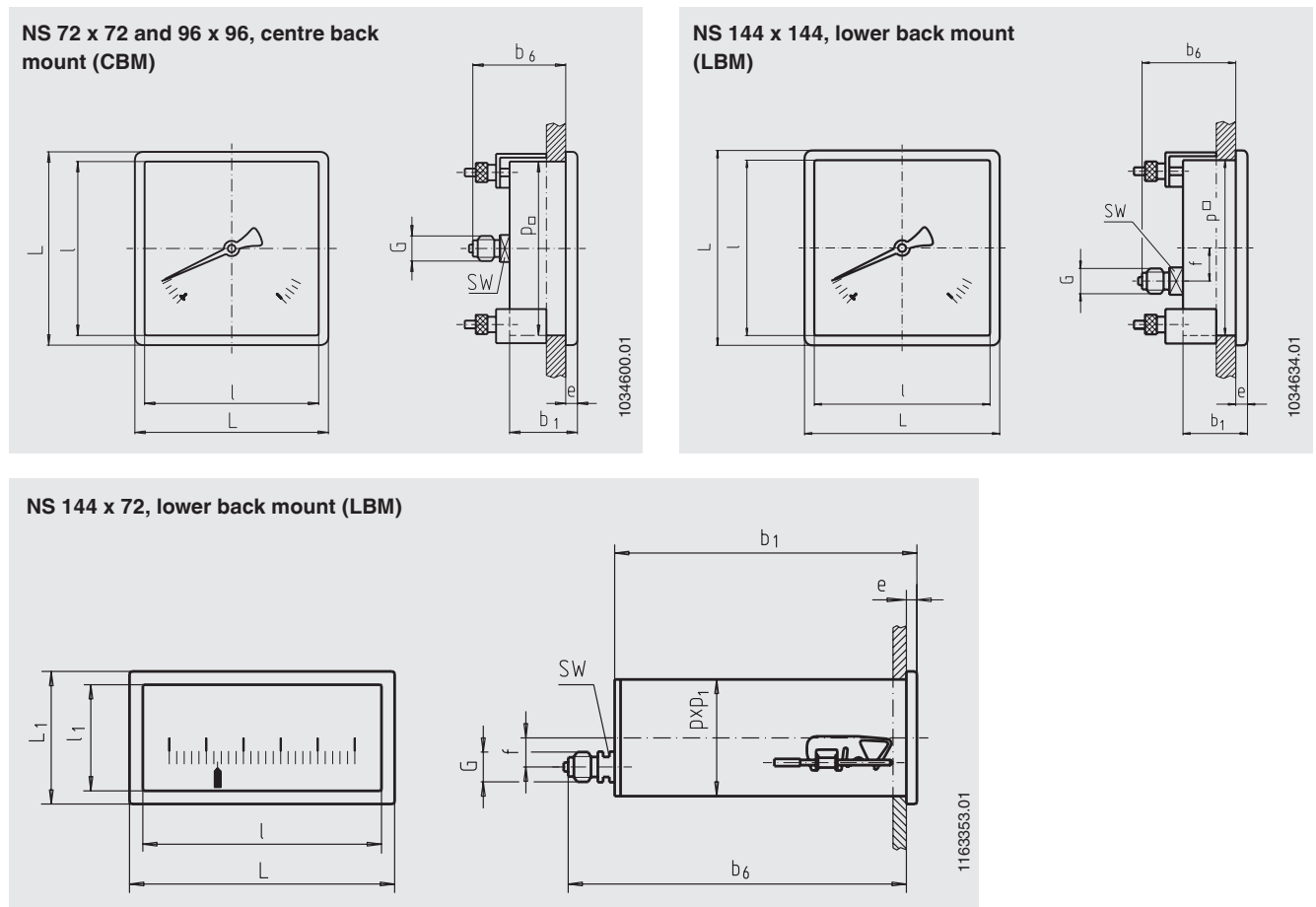
- 2.2 test report per EN 10204 (e.g. state-of-the-art manufacturing, material proof, indication accuracy)
- 3.1 inspection certificate per EN 10204 (e.g. material proof for wetted metallic parts, indication accuracy)

1) Option

Approvals and certificates, see website

Dimensions in mm

Standard version



NS	Dimensions in mm												Weight in kg
	b ₁	b ₆	e	f	G	L	L ₁	l	l ₁	p x p ₁	p _□	SW	
72 x 72	36.5	50	6	-	G ¼ B	72	-	62	-	-	66	14	0.30
96 x 96	39	50	6	-	G ¼ B	96	-	79	-	-	88.5	14	0.40
144 x 144	46.5	71.5	8	30	G ½ B	144	-	134	-	-	136	22	0.90
144 x 72	168	197	8	18	G ½ B	144	72	134	62	138 x 67	-	17	1.60

Process connection per EN 837-3 / 7.3

Ordering information

Model / Nominal size / Scale range / Connection size / Connection location / Options

© 2008 WIKA Alexander Wiegand SE & Co. KG, all rights reserved.
 The specifications given in this document represent the state of engineering at the time of publishing.
 We reserve the right to make modifications to the specifications and materials.

