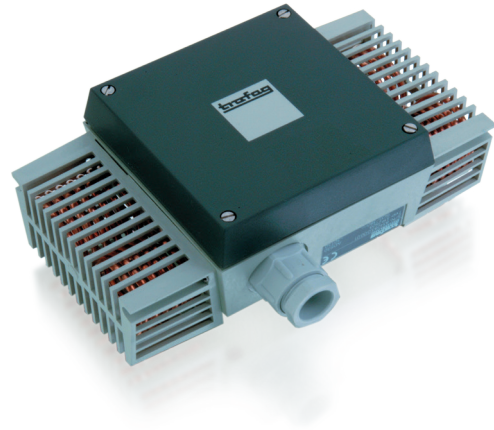


AMBI DUOSTAT

Swiss based Trafag is a leading international supplier of high quality sensors and monitoring instruments for the measurement of pressure and temperature.



Applications

- HVAC
- Refrigeration

Features

- With 2 individual measuring systems
- Protection IP54
- Electrical connection on terminal screw

Technical Data			
Designation of application	Double room thermostat	Switching differential	Adjustable / not adjustable
Measuring range	-30°C ... +30°C to 0°C ... +60°C	Repeatability	± 0.5 % FS typ.
Output signal	Floating change-over contact	Approval / conformity	EN60730-1/ EN60730-2-9: Typ 2.B.H

01/2017

Data sheet H72146k

Subject to change

Ordering information/type code

		319 .	XX	XX	XXX	XX	XX
Microswitch	Small switching differential, not adjustable		10				
	Average switching differential, not adjustable		11				
	With gold plated contacts, not adjustable		21				
	Adjustable standard switching differential		25				
Range	Range [°C]	Operating temperature [°C]					
	-30 ... +30	-30 ... +40			02		
	-20 ... +40	-30 ... +50			06		
	0 ... +30	-30 ... +50			03		
	+10 ... +40	-30 ... +70			04		
	0 ... +60	-30 ... +70			12		
Sensor	Stainless steel (1.4435 / AISI316L)				401		
	Copper				402		
	Copper nickel plated				403		
Fixing ²⁾	Console						19
Accessories	Signal lamp						14
	Switchpoint locking						15
	Switchpoint fixed and sealed upon customer's request						88
	Switchpoint preset upon customer's request, no guarantee on switching accuracy						83
	Switchpoint adjustment please indicate when ordering: - Switchpoint [°C] - Increasing or decreasing						
	Railway version (UIC 616)						28
	Outdoor application (vented)						44

²⁾ See data sheet H72106

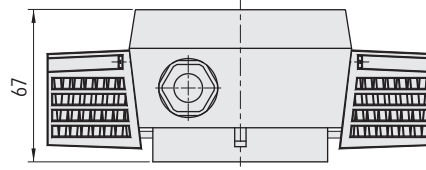
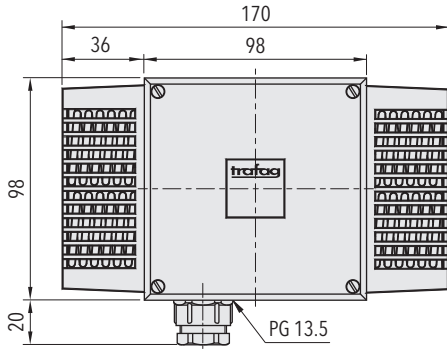
Standard products (extra short lead time)

Product No.	Type Code	Temperature range [°C]	Switching differential [°C]	Operating temperature [°C]
ADS30	319 2503 402 19	0 ... +30	0.7 ... 6 (adjustable)	-30 ... +50
ADS33	319 2502 402 19	-30 ... +30	0.7 ... 6 (adjustable)	-30 ... +40
ADS60	319 2512 402 19	0 ... +60	0.7 ... 6 (adjustable)	-30 ... +70

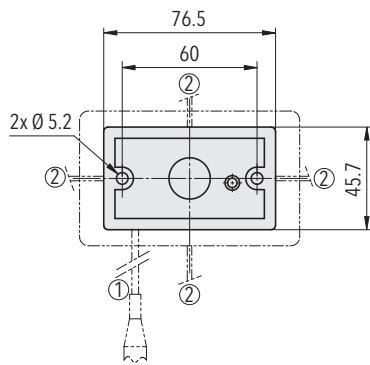
Specifications		
Accuracy	Repeatability	± 0.5 % FS typ.
	Scale accuracy typ.	± 2 % FS typ.
	Switching differential	see table
Environmental conditions	Ambient temperature	see ordering information
	Storage temperature	Range < +40°C: -30...+50°C Range > +40°C: -30...+85°C
	Protection	IP54
	Humidity	Max. 95 % relative
Mechanical Data	Sensor housing	see ordering information
	Filling	Liquid
	Housing	Noryl
	Screwed cable gland	PA, Polyamid
	Installation	any position
	Weight	~ 220 g
Microswitch	Rating	see table
	Resistance of insulation	> 2 MΩ
	Dielectric strength	U ≤ 250V: 1.45 kV U ≤ 500V: 2 kV terminal ground
	Life time (mechanical)	Microswitch 10/11/25: 20 Mio. cycles Microswitch 21: 0.5 Mio. cycles
Electrical connection	Cable gland	PG13.5 Cable-Ø 5...12.5 mm
	Terminal screw	3 x 1...2.5 mm ²

Additional information		
Documents	Data sheet	www.trafag.com/H72146
	Instructions	www.trafag.com/H73170
	Flyer	www.trafag.com/H70960

Dimensions



319.XXXX.XXX.XX.XX



319.XXXX.XXX.19.XX

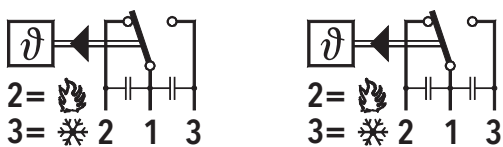
Switching differential typ.

Range	[°C]	-30 ... +30 -20 ... +40 0 ... +30 +10 ... +40 0 ... +60
Microswitch 10 Switching differential (fixed value, not adjustable)	[°C]	0.3
Microswitch 11 Switching differential (fixed value, not adjustable)	[°C]	0.7
Microswitch 21 Switching differential (fixed value, not adjustable)	[°C]	0.7
Microswitch 25 Switching differential (adjustable value)	[°C]	0.7 ... 6

Electrical data switch

Type	Features	Rating	
		Resistive Load (Inductive Load)	
		AC	DC
10	Small switching differential, not adjustable	125 V, 10 (1.5) A 250 V, 10 (1.25) A	250 V, 0.2 (0.02) A 125 V, 0.4 (0.03) A 30 V, 2 (1) A 14 V, 15 (2.5) A
11	Average switching differential, not adjustable	125 V, 15 (1.5) A 250 V, 15 (1.25) A 500 V, 10 (0.75) A	250 V, 0.25(0.03) A 125 V, 0.5(0.05) A 30 V, 6 (1.5) A 14 V, 15 (1.5) A
21	Gold plated contacts, not adjustable	24 V, 0.1(0.1)A 12 V, 1 (1) A 5 V, 2 (2) A	24 V, 0.1(0.1)A 12 V, 1 (1) A 5 V, 2 (2) A
25	Adjustable standard switching differential	125 V, 15 (1.5) A 250 V, 15 (1.25) A 500 V, 10 (0.75) A	250 V, 0.25(0.03) A 125 V, 0.5(0.05) A 30 V, 6 (1.5) A 14 V, 15 (2.5) A

Electrical Connection



319