

Balanced 2-way Control Valve type L1SBR

Gun Metal, PN 16, DN 15 – 32 mm, Reverse acting

0-2.2.04.01-D

Page 1 of 2



TECHNICAL DATA

Materials:	
- Valve body	Gun metal RG 5
- Components	Stainless steel
- O-ring	FPM, 75 SHOREA
- Gasket	Reinz-AFM34
Nominal pressure	PN 16
Seating	Single seated
Flow characteristic	Quadratic
Leakage rate	$\leq 0.05\%$ of Kvs
Regulating capability	$Kvs/Kvr > 25$
Internal connection threads	ISO 7/1

APPLICATIONS

Balanced control valves type L1SBR are mainly designed for regulation of cooling water and lubricating liquids. Balanced valves are used in installations where the system pressure necessitates a closing force greater than available in the actuator programme for a standard single seated valve, and where the leakage rate for a double-seated valve is unacceptable. The valves are installed combined with our self-acting thermostats, pressure differential regulators or electric actuators for regulation in industrial plants, industrial processes or marine installations - especially in control systems for cooling.

DESIGN

The valve components - spindle, seats and cone - are made of stainless steel. The valve body is made of gun metal RG 5. The thread for the actuator connection is G1B ISO 228. The valve is single seated, balanced. The leakage rate is less than 0.05% of the full flow (according to VDI/VDE 2174).

FUNCTION

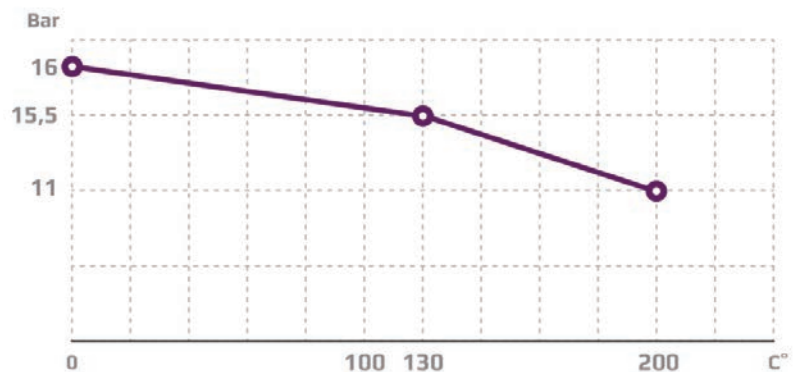
Without the actuator being connected, the valve is held in closed position by means of a spring. With pressure on the spindle the valve opens. In connection with our thermostats the valves will open at rising temperatures. In connection with our electric actuators the valves will either close or open depending on the application. The quadratic characteristic will not cease, until the flow has dropped below 4% of the full flow.

FEATURES

- Simple design secures reliable controls and reduces costly downtime.
- Location of the pack box in the actuator makes the valve service friendly.
- Reliable and secure due to internal parts of stainless steel.
- Low leakage rate reduces the risk of overheating

PRESSURE/TEMPERATURE DIAGRAM

According to DIN 2401

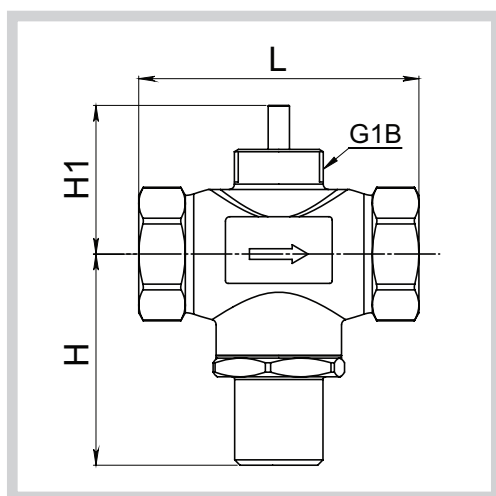


Subject to change without notice.

MOUNTING

The valve can be installed with vertical as well as horizontal spindles. For valve temperatures of max. 170 °C, the thermostat/ actuator can be fitted below or above the valve. For valve mounted with thermostats in media temperatures above 170 °C, a cooling unit has to be applied with connection downwards (please refer to data sheet for thermostat accessories). For electric actuators a high temperature adaptor must be used (please refer to data sheets for the electric actuators).

DIMENSION SKETCH



Type	L (mm)	H (mm)	H1 (mm)
15 L15BR	85	71	40
20 L15BR	95	79	46
25 L15BR	105	79	50
32 L15BR	138	81	64

SPECIFICATIONS

Type	Connection threads	DN (mm)	Opening (mm)	k_{vs} -value m^3/h	Lifting height (mm)	Weight (kg)
15 L15BR	Rp ½	15	15	2.75	6	1.0
20 L15BR	Rp ¾	20	20	5	6.5	1.3
25 L15BR	Rp 1	25	25	7.5	7	1.6
32 L15BR	Rp 1¼	32	32	12.5	8	2.9

