

2-way Control Valve type G2F

Nodular cast iron, PN 16, DN 100 – 150 mm

0-2.5.05-D

Page 1 of 2



TECHNICAL DATA

Materials:

- Valve body	Nodular cast iron EN-GJS-400-15
- Components	Stainless steel
- Nuts, bolts	24 CrMo 5/A4
- Gasket	Stainless steel foil - Copper PN 16

Nominal pressure

Seating Double seated

Flow characteristic Almost quadratic

Function Closing with pressure
on spindle

Leakage rate $\leq 0.5\%$ of Kvs

Regulating capability Kvs/Kvr > 25

Flanges drilled

according to EN 1092-2
Counter flanges DIN 2633

APPLICATIONS

Control valves type G2F are designed for use in regulating high pressure hot water, steam and heat transfer oil. The valves are used in conjunction with temperature or pressure differential regulators for controlling district or central heating plants, industrial processes or marine installations.

DESIGN

The valve components – spindle, seats and cone – are made of stainless steel. The valve body is made of nodular cast iron EN-GJS-400-15 with flanges drilled according to EN 1092-2. The connection thread for the actuator is G1B ISO 228. The valves are double-seated. The leakage rate is less than 0.5% of the full flow (according to VDI/VDE 2174).

FUNCTION

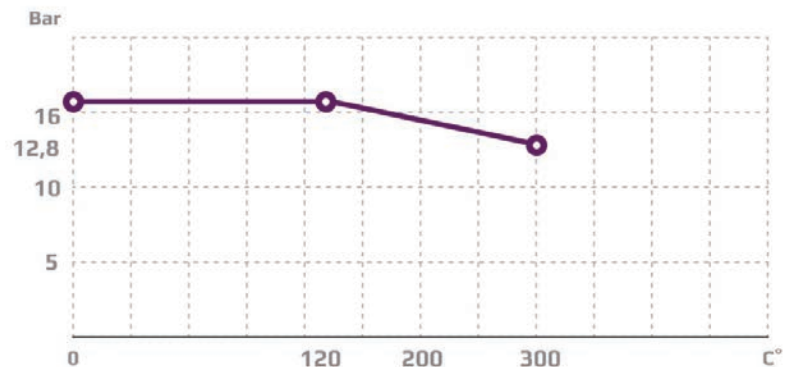
Without the actuator being connected, the valve is held in open position by means of a spring. With pressure on the spindle the valve will close. In connection with our thermostats, pneumatic or electric actuators, the valves will close at rising temperatures. For cooling circuits the valve can be used in conjunction with a reverse acting electric actuator. Alternatively a reverse acting valve can be used with our self-acting thermostats. The quadratic characteristic will not cease, until the flow has dropped below 4% of the full flow.

FEATURES

- Simple design secures reliable controls.
- Location of the pack box in the actuator makes the valve service friendly
- Reliable and secure due to internal parts of stainless steel

PRESSURE/TEMPERATURE DIAGRAM

According to DIN 2401



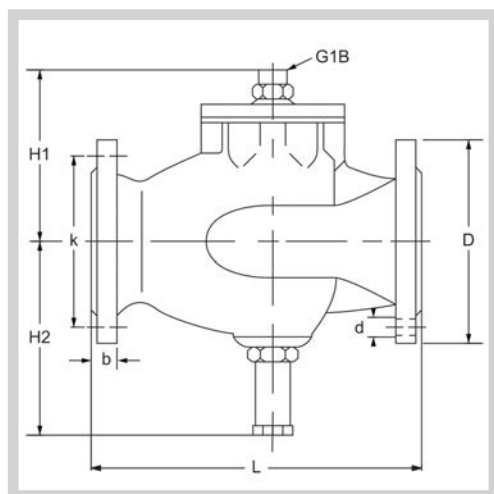
Subject to change without notice.

MOUNTING

The valve can be installed with vertical as well as horizontal spindles. For valve temperatures of max. 170 °C, the thermostat/ actuator can be fitted below or above the valve. For valve mounted with thermostats in media temperatures above 170 °C, a cooling unit has to be applied with connection downwards (please refer to data sheet for thermostat accessories). For electric actuators a high temperature adaptor must be used (please refer to data sheets for the electric actuators).



DIMENSION SKETCH



Type	L mm	H1 mm	H2 mm	D (dia.) mm	b mm	k (dia.) mm	d mm dia. (number)
100 G2F	350	185	209	220	19	180	19x(8)
125 G2F	400	205	224	250	19	210	19x(8)
150 G2F	400	240	244	285	19	240	23x(8)

SPECIFICATIONS

Type	Flange connection DN in mm	Opening mm	k_{vs} -value m^3/h	Lifting height mm	Weight kg
100 G2F	100	100	125	20	32
125 G2F	125	125	215	20	50
150 G2F	150	150	310	20	70