

Electric PID Valve Controllers and SSRs

8071D, 8072D and 47581L001/47581L002

Typical applications

- Position control of electrically or electro-pneumatically actuated valves
- For use with AMOT type G Temperature Control Valve - see valve datasheets
- For engines, turbines, gear boxes and heat exchangers:
 - charge air cooling
 - secondary cooling systems
 - fuel and lube oil preheating
 - co-generation
 - engine jacket water



8072D Electric PID Valve Controller Panel



8071D PID Controller



47581L001 Solid State Relays

Key benefits

- Fully programmable PID-based control
 - allows easy system configuration
- Universal inputs - RTD, thermocouple, 0-10V, or standard 4-20mA signal gives maximum system design flexibility
- Can be operated in manual mode - easy maintenance and set up

Key features

- Max. two programmable analogue outputs
- Two programmable setpoints, two parameter sets
- Four limit comparators
- Two timer functions
- Two self-optimization procedures
- RS485 interface available as an option

amot

www.amot.com

Electric PID Valve Controllers and SSRs - 8071D, 8072D, 47581L001/47581L002

Operation

These products are designed for high performance, fully configurable operation, and are easy to install and set up. The controller is available in two options.

8071D

The 8071D is a universal PID controller for use with the AMOT electrically actuated G Valve range.

The 8071D is a panel mount stand-alone controller, designed to be used with separate Solid State Relays (SSRs).


8072D

The 8072D is a stand-alone panel incorporating the 8071D controller. The 8072D comprises of the 8071D controller and two SSRs, pre-wired in a wall mounting, splash-proof enclosure approved to IP65.

All connections to the 8072D are via DIN rail mounted terminals for ease of installation.

The choice of logic level, SSR and 4-20mA outputs allows a variety of valves to be connected. The SSR option (see page 5) is used for an electric actuator, such as the EB series, as used on the AMOT G temperature control valve (see G valve datasheet), and the 4-20mA output can control either a pneumatic valve such as the AMOT G valve, or an electric valve fitted with a positioner.

Specification

Controller type	Fully configurable PID with digital filtering and selectable parameter sets	
Input	Universal sensor input	2 or 3 wire RTD, TC, 4-20mA selectable
Input sensing range	Selectable as required	Maximum -200 ^o to +850 ^o C (-328 ^o to 1562 ^o F) Typical setting 0 ^o to 120 ^o C
Supply	93 to 263 VAC, 48 to 63Hz 13VA max 20-30VDC, 13VA max	
Input accuracy	RTD within 0.05% TC within 0.25% 4-20mA & 0-10V within 0.1%	
Input sampling	50 to 250ms interval (user configurable)	Dynamic resolution up to 16 bit
Environmental	0 ^o to +55 ^o C operational	-30 ^o to +70 ^o C (-22 ^o - 158 ^o F) storage RH<90% (non condensing)
EMC	EN 61326-1 Class B	
Solid state relays	50A rated, opto-isolated, zero-cross switching (4758L001) 7A rated, opto-isolated (47581L002)	
Alarm Outputs	2 off 3A contacts, 250VAC max	
Accreditation		Complies with relevant EU directives
Communication	RS422/RS485 option	8071D only

Electric PID Valve Controllers and SSRs - 8071D, 8072D, 47581L001/47581L002

Panel Mounted Controller (8071D)



8071D PID Controller

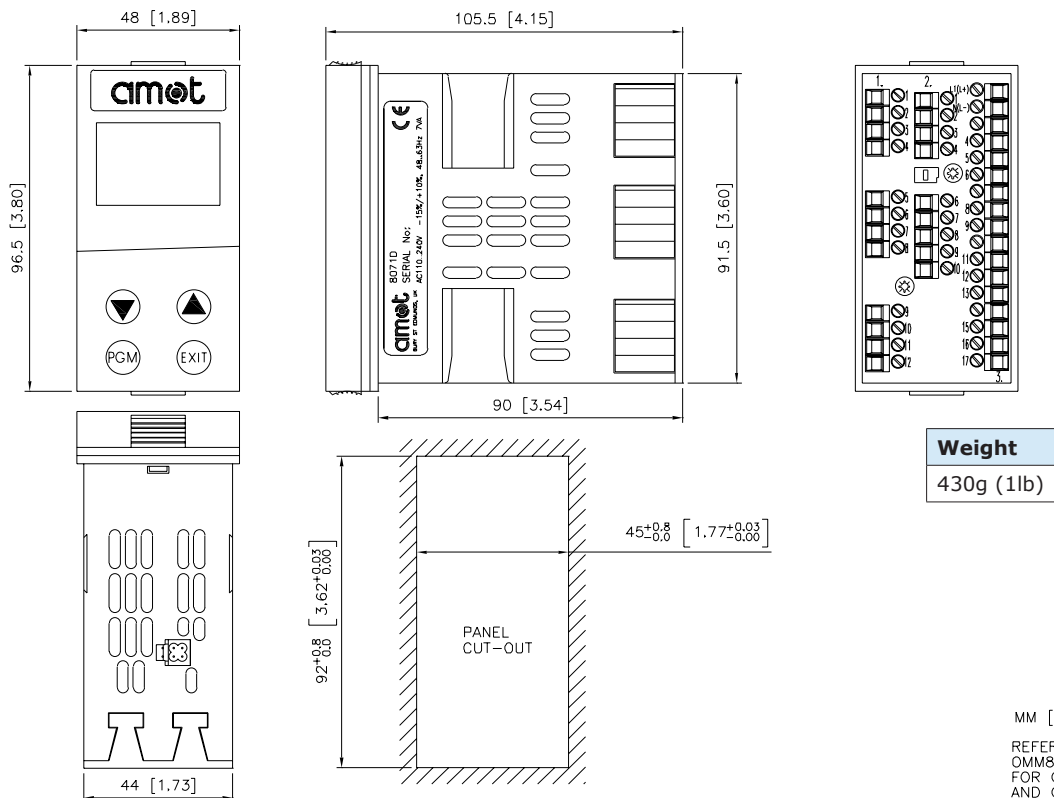
The 8071D is a powerful PID controller with digital filtering that is fully user-configurable to meet the needs of a wide range of systems.

It incorporates two large high brightness, high contrast displays, which indicate process and set point values. The controller features a universal input and two logic level valve control outputs. Two alarm outputs are supplied as standard. Two set points and two complete parameter sets may be programmed and selected internally or externally using electrical links.

The unit is simple to configure using a structured menu system operated by four buttons on the front panel. Mounting is to DIN 43700, and electrical connections are via cage clamp terminals for wires up to 2.5mm

The 8071D is designed to interface directly to two solid state relays (SSRs), available separately. The SSRs provide a high power, robust interface between the controller and the valve's actuator.

Dimensions (8071D)



Electric PID Valve Controllers and SSRs - 8071D, 8072D, 47581L001/47581L002

Wall Mounted Controller (8072D)



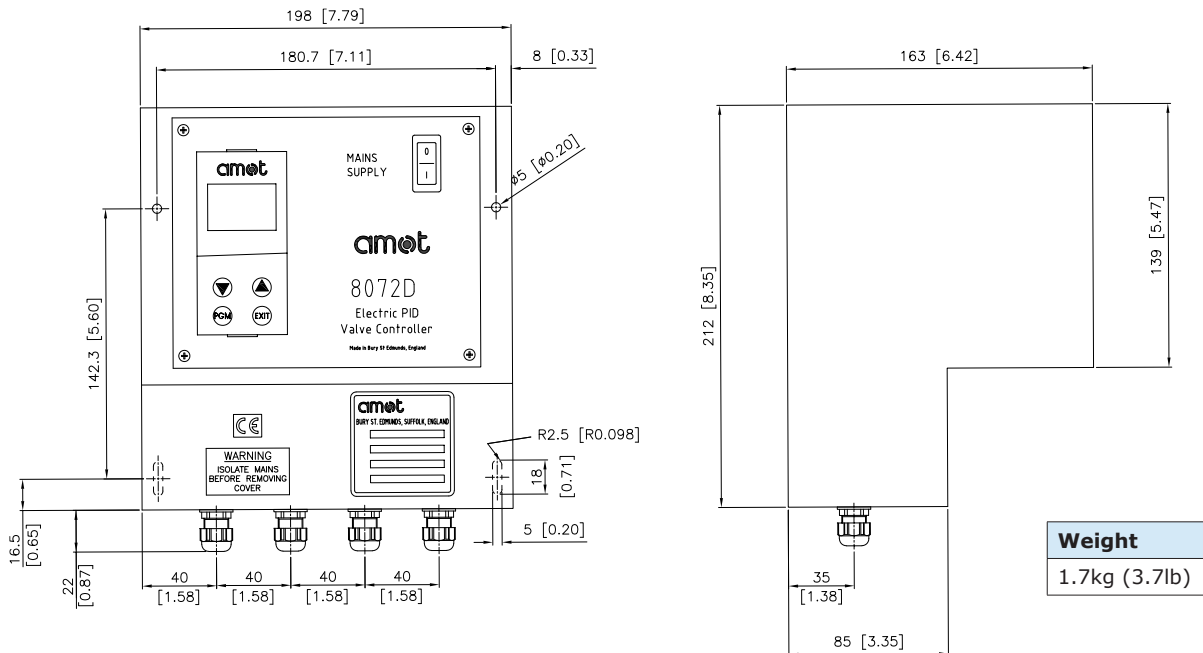
8072D Electric PID Valve Controller Panel

This compact, robust panel incorporates the 8071D controller and two SSRs.

The panel is pre-wired; all external connections are made using standard DIN rail mounted terminal connections.

The unit enclosure is approved to IP65 and is suitable for wall mounting.

Dimensions (8072D)



MM [INCHES]

ELECTRICAL SUPPLY:
93–263 VAC, 48–63 Hz, 7VA

Electric PID Valve Controllers and SSRs - 8071D, 8072D, 47581L001/47581L002

SSRs (47581L001)



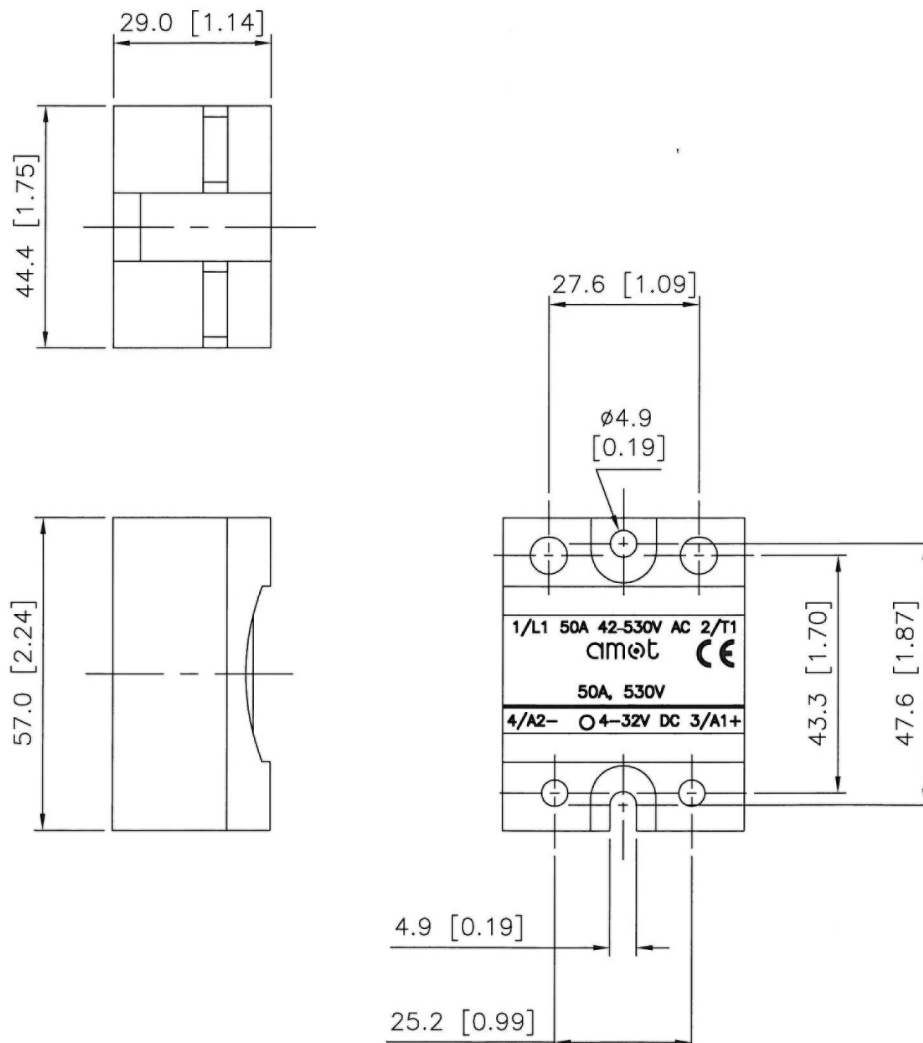
47581L001 Solid State Relays

The SSRs used within the 8072D are available separately for use with the 8071D controller.

The SSRs are extremely robust and provide high current switching to actuator motors. The SSRs have significantly higher performance than standard relays, providing excellent switching life.

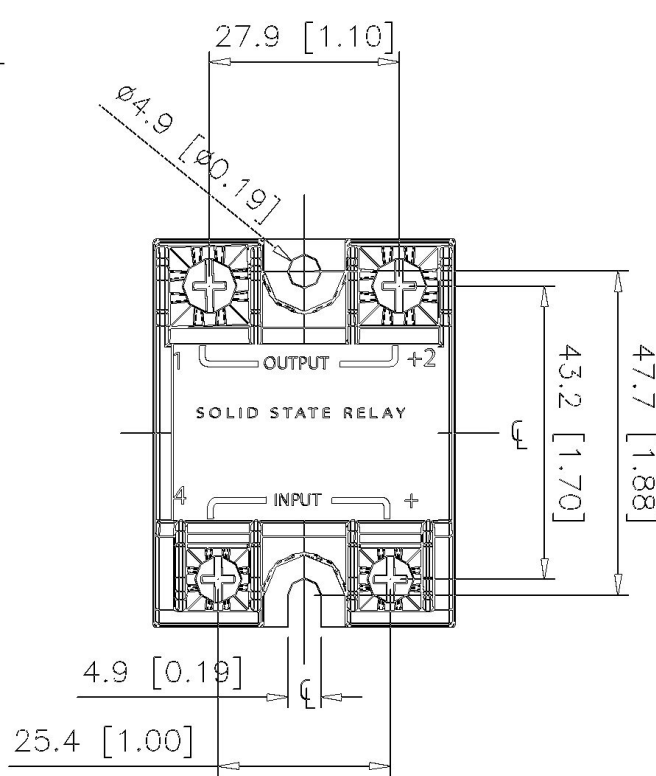
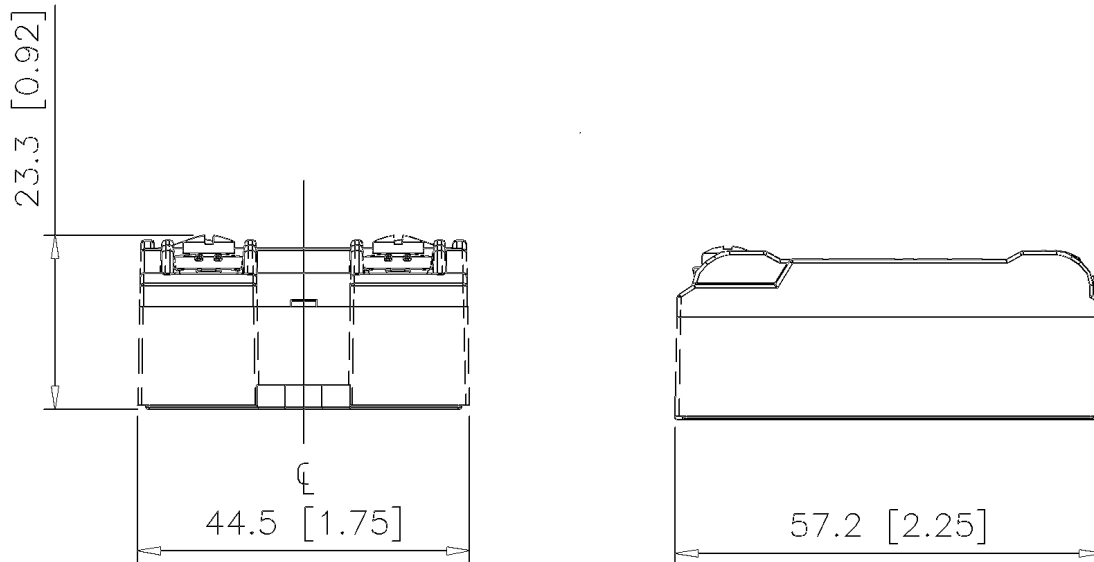
For 47581L001 used on AC actuators, the arcing associated with traditional relays is completely eliminated due to zero cross voltage switching. Two SSRs are required per 8071D controller. To order, request part number 47581L001 for AC actuators or 47581L002 for DC actuators.

Dimensions (47581L001)



Electric PID Valve Controllers and SSRs - 8071D, 8072D, 47581L001/47581L002

Dimensions (47581L002)



Electric PID Valve Controllers and SSRs - 8071D, 8072D, 47581L001/47581L002

How to order

Use the table below to select the unique specification of your 8071 valve controller.

Example	8071D	1	2	1	R	AA	Comments		
Basic Model	8071D						Panel mounted PID controller		
	8072D						Wall mounted PID controller		
							Supply	Process Value	Set Point
Inputs	0						AC	PT 100	Set from keypad
	1						AC	PT 100	4-20 mA (8071D only)
	2						AC	4-20 mA	set from keypad
	3						AC	4-20 mA	4-20 mA (8071D only)
	4						AC	0-10V	Set from keypad
	5						DC	PT100	Set from keypad
	6						DC	PT100	4-20 mA (8071D only)
	7						DC	4-20 mA	Set from keypad
	8						DC	4-20 mA	4-20 mA (8071D only)
	9						DC	0-10V	Set from keypad
							Actuator Position Control		Process Value Re-Transmit
Outputs	0						SSR		-
	1						4-20 mA		-
	2						4-20 mA		4-20 mA (8071D only and not 8071D3 and 8071D8)
Communications	0						Comms not fitted		
	1						Comms fitted (8071D only and not 8071D121, 321, 621, and 821)		
Direction						D	Direct action		
						R	Reverse action		
Special requirements						AA	Standard controller		
							Contact us for special requirements		

To order SSRs

Two (2) SSRs are required for each 8071D controller. To order, quote part number: 47581L001 for AC actuators, or 4758L002 for DC actuators, quantity 2.

Americas

AMOT USA
8824 Fallbrook Dr
Houston, TX 77064
USA

Tel +1 (281) 940 1800
Fax +1 (713) 559 9419
Email customer.service@amot.com

Asia Pacific

AMOT Shanghai
Bd. 7A No 568
Longpan Rd, Malu Jiading
Shanghai 201801
China

Tel +86 (0) 21 5910 4052
Fax +86 (0) 21 5237 8560
Email shanghai@amot.com

Europe and Africa

AMOT
Western Way
Bury St Edmunds
Suffolk, IP33 3SZ
England

Tel +44 (0) 1284 762222
Fax +44 (0) 1284 760256
Email info@amot.com

AMOT Controls GmbH
Rondenbarg 25
22525 Hamburg
Germany

Tel +49 (0) 40 8537 1298
Fax +49 (0) 40 8537 1331
Email germany@amot.com