

# Thermostatic Valve

## Filterstat - Model FJA

### Typical applications

- Mixing
- Diverting

### Key features and benefits

- Direct filter connection
- Integral differential pressure switch
- Integral oil filter manifold
- Mount in any position

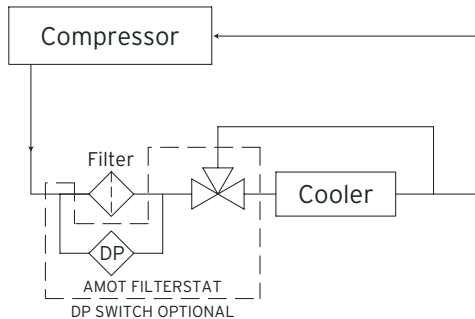


**Model FJA  
Filterstat Valve**

# Thermostatic Valve - Filterstat

## Applications

### Oil cooling system



The diagram on the left shows a typical installation of the Filterstat.

## Specification

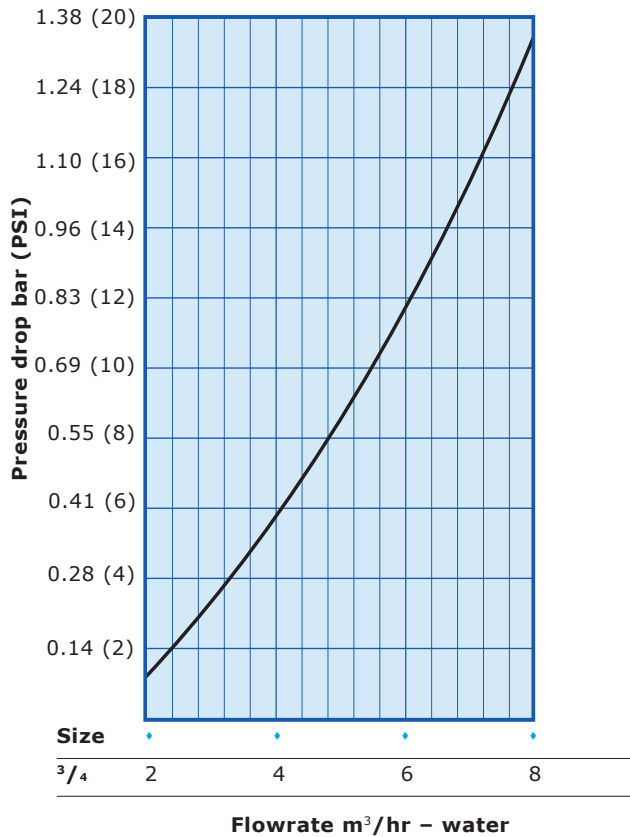
<b>Flow rate</b>	2 to 5.5 m <sup>3</sup> /hr	8.8 - 24.2 gpm
<b>Recommended pressure drop</b>	0.14 to 0.5 bar	(2 to 7 psi)
<b>Body materials</b>	Aluminum	
<b>Ports</b>	Below nominal temperature	Ports A and B connected
	Above nominal temperature	Ports A and C connected
<b>Seal materials</b>	Viton	
<b>Valve sizes (nominal bore)</b>	20mm	(3/4")
<b>Port connections</b>	Threaded	20mm (3/4") BSP, NPT, M26 x 1.5, JIS, SAE
<b>Control temperatures</b>	49 to 113°C (120 - 235°F)	(see Element Characteristics Table)
<b>Maximum working pressure</b>	25 bar	(362 psi)
<b>Mounting position</b>	Any orientation	
<b>Switch specification</b>	Delta P (rising)	1.7 bar (25 psi +/- 2 psi)
	Max P	25 bar (362 psi)
	Switch type	SPDT normally open as standard
	Max current	1.0A
	Max voltage	150VDC
	Max power	20W
	Electrical cord	Grey PVC casing over 3.24 AWG wires
		White (com)
		Red (N.O.)
		Black (N.C.)
		Length 1525mm (60")

Please note that the DP switch can be removed and replaced without need for subsequent calibration or set-up.

# Thermostatic Valve - Filterstat

## Valve characteristics

### Pressure drop

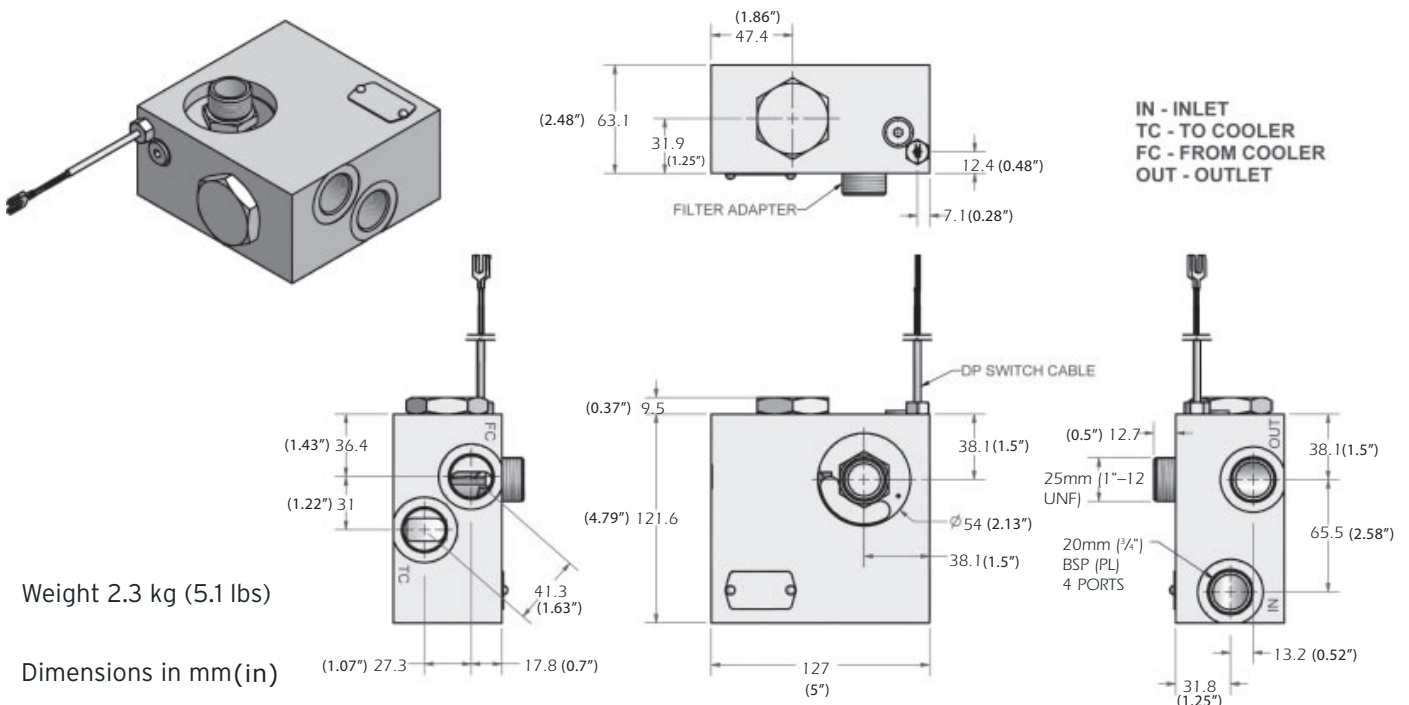


## Element characteristics

### All temperatures in °C (°F)

Control temperature		Rated range		Max temperature continuous		Code
°C	°F	°C	°F	°C	°F	
49	120	43 - 55	110 - 131	86	187	120
54	130	49 - 60	120 - 140	95	203	130
60	140	54 - 65	130 - 150	95	203	140
65	150	60 - 71	140 - 160	100	212	150
71	160	65 - 76	150 - 170	100	212	160
76	170	72 - 82	163 - 180	100	212	170
80	175	76 - 85	170 - 185	105	221	175
82	180	79 - 88	175 - 190	110	230	180
87	190	85 - 93	185 - 200	110	230	190
93	200	90 - 100	194 - 212	110	230	200
96	205	93 - 103	200 - 218	110	230	205
101	215	97 - 107	205 - 225	115	239	215
107	225	101 - 114	214 - 237	120	248	225
113	235	107 - 123	225 - 253	124	257	235

## Valve dimensions



# Thermostatic Valve - Filterstat

## How to order

Use the tables below to select the unique specification of your Filterstat Valve

<b>Example</b>	3/4FJ	A	5	U	A	160	03	N	1	A	A	-AA	<b>Comments</b>
													<b>Basic Model</b>
<b>Basic Model</b>	3/4FJ												Valve size
<b>Material</b>		A											Aluminum
													<b>Connections</b>
<b>Connections</b>				A									Threaded NPT to USAS B2.1
				B									Threaded BSP (Pl) to BS EN 10226
				C									Threaded BSP (Tr) to BS EN 10226
				D									Threaded to SAE J514h (Straight thread O ring seal)
				E									Threaded Japanese (JIS)
				F									Threaded to M26 x 1.5
<b>Filter adapter</b>					A								25.4 mm (1") - 12UNF thread
													<b>Temperature</b>
<b>Control temperature</b>						see chart							See Element Characteristics chart for code
													<b>Element specification</b>
<b>Element specification</b>							01						Standard element
							02						Plated with Viton seals
							03						Standard element with Viton O Rings
							04						Kanigen plated with Neoprene O Rings
							05						Standard element with Neoprene O Rings
							06						Plated element with Neoprene O Rings
													<b>Leakhole</b>
<b>Leakhole sizes</b>								N					None
								A					1.6 mm 1/16"
								B					2.4 mm 3/32"
								C					3.2 mm 1/8"
								D					0.8 mm 1/32"
													<b>Switch</b>
<b>Switch</b>									0				No DP switch
									1				With DP switch
													<b>DP Switch cable</b>
<b>DP switch cable</b>										A			1.5 5 ft
										B			5 m 8.2 ft
													<b>Body configuration and build</b>
<b>Body configuration</b>											A		Body configuration 1: No step and M18 connection for DP switch
											B		Body configuration 1: 0.031" step and M18 connection for DP switch
											C		Body configuration 2: No step and connection for reed switch
											D		Body configuration 2: 0.031" step and connection for reed switch
											E		Body configuration 3: 0.031" step and connection for reed switch
													<b>Special requirements</b>
<b>Special requirements</b>												-AA	Standard

## Europe, Middle East and Africa

---

AMOT  
Western Way  
Bury St Edmunds  
Suffolk, IP33 3SZ  
England

Tel +44 (0) 1284 762222  
Fax +44 (0) 1284 760256  
Email info@amot.com

AMOT Controls GmbH  
Rondenbarg 25  
22525 Hamburg  
Germany

Tel +49 (0) 40 8537 1298  
Fax +49 (0) 40 8537 1331  
Email germany@amot.com

AMOT Russia  
#34 Shabolovka Street  
Building 2  
Moscow 115419  
Russia

Tel +7 495 617 12 93  
Fax +7 495 913 97 65  
Email russia@amot.com

## Asia and Australasia

---

AMOT Shanghai  
Rm 4102-4104 United Plaza  
1468 Nanjing Road West  
Shanghai 200040  
China

Tel +86 (0) 21 6279 7700  
Fax +86 (0) 21 5237 8560  
Email shanghai@amot.com

AMOT Singapore  
10 Eunos Road 8 #12-06  
Singapore Post Centre  
Singapore 408600

Tel +65 6408 6265  
Fax +65 6293 3307  
Email singapore@amot.com

## Americas

---

AMOT USA  
8824 Fallbrook Dr  
Houston, TX 77064  
USA

Tel +1 (281) 940 1800  
Fax +1 (713) 559 9419  
Email general: sales@amotusa.com  
orders: orders@amotusa.com  
customer service: cs@amotusa.com